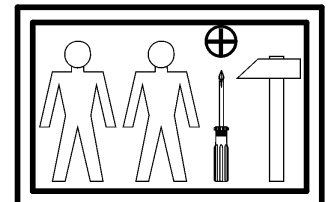
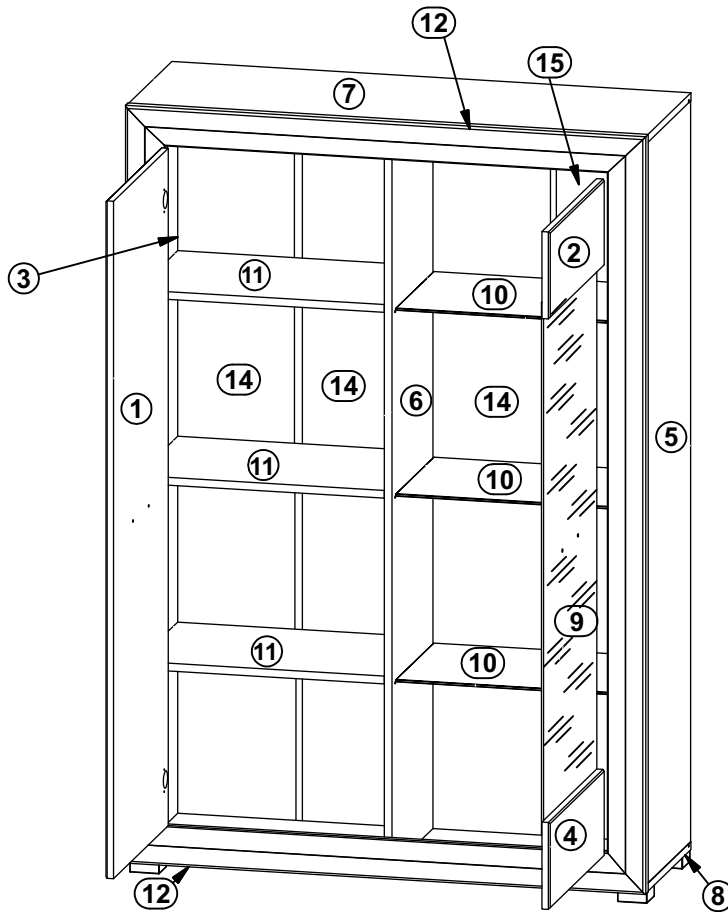
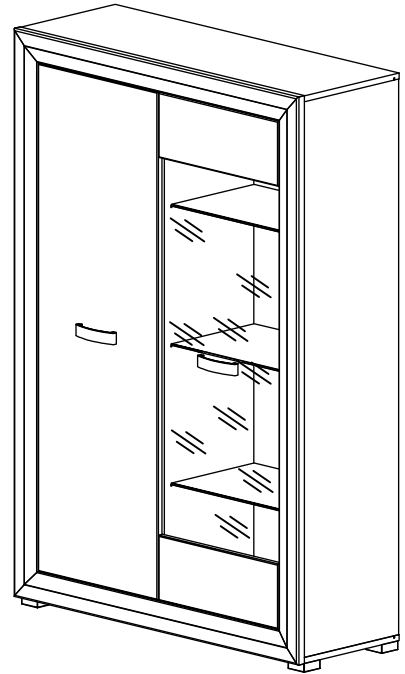


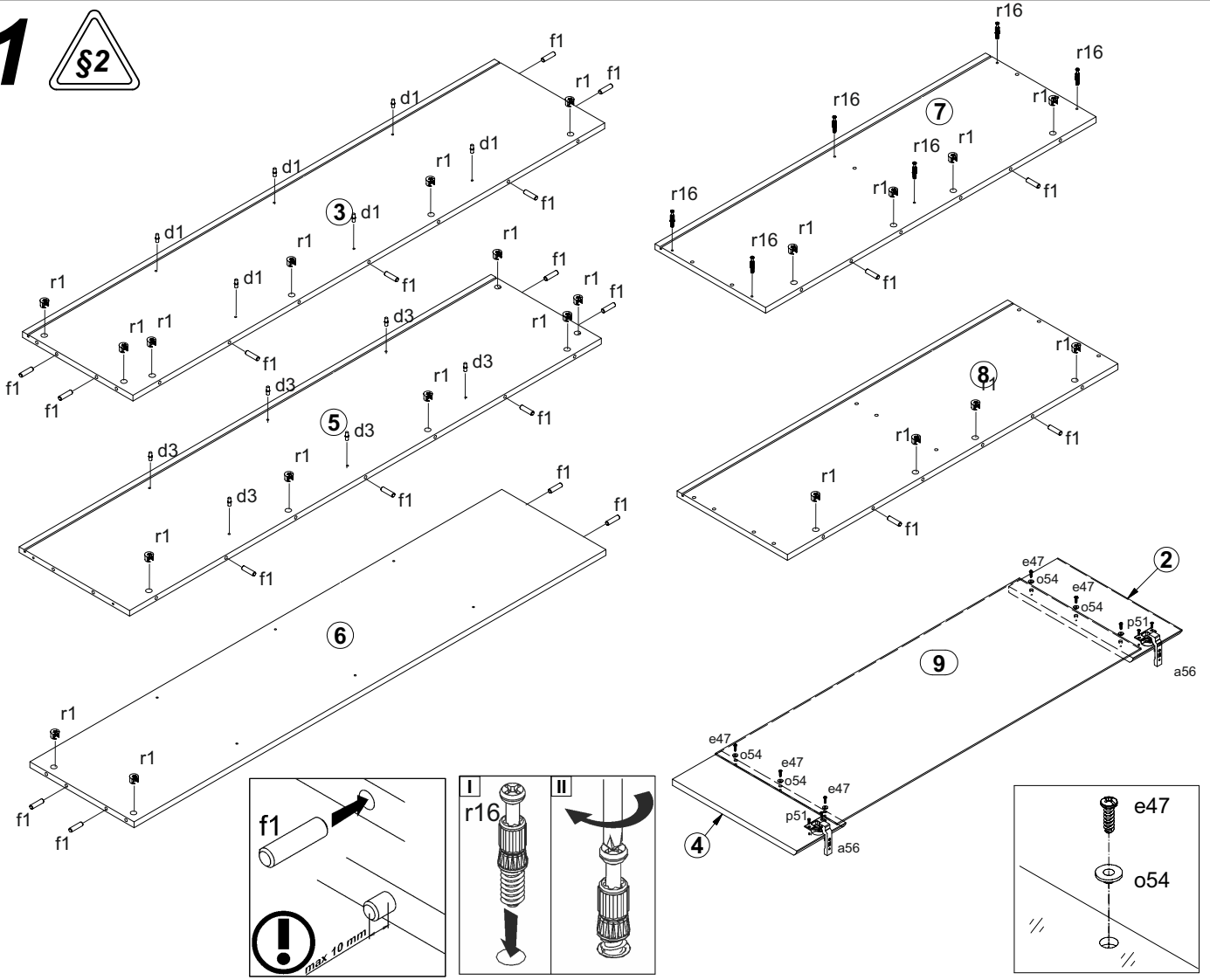
# B136-REG1W1D

A	B	C	D	
1	B136-003	1385	447	1/5
2	B136-012	447	177	1/5
3	B136-143	1516	355	2/5
4	B136-009	447	177	1/5
5	B136-144	1516	355	2/5
6	B136-145	1516	335	2/5
7	B136-225	1061	355	1/5
8	B136-226	1061	355	1/5
9	B136-565	437	1091	3/5
10	B136-336	504	300	4/5
11	B136-301	504	331	2/5
12	B136-572	1063	80	2/5
13	B136-599	1550	80	2/5
14	B136-908	1526	259	2/5
15	B136-909	1526	259	2/5
16	Lh-1510	1510	14	2/5

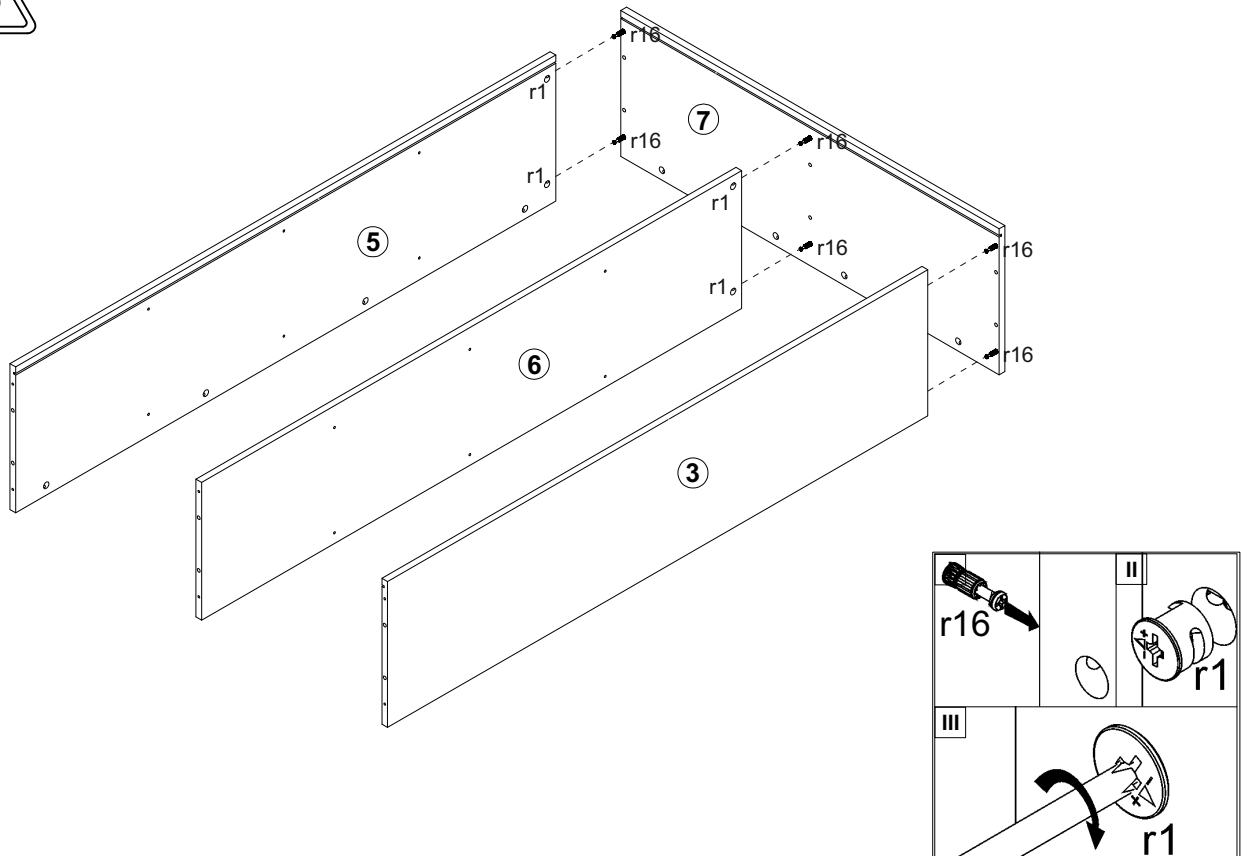


4x  a56	4x  b6	12x  d1 x17 mm	12x  d3 x17 mm	6x  e1 7x50 mm	6x  e47 5x16 mm	30x  f1 x30 mm	5x  k55 60x60/25 mm	10x  p6 x35 mm
2x  phi412.050	2x  f4x30 mm p9	2x  o1	2x  phi4x12 mm p59	22x  l2	1x  n26	8x  20x13x3.51mm n108	6x  5.3/ 8.3x4.8 mm o54	1x  z1
1x  x16 mm p38	8x  x15 mm p51	8x  x16 mm p55	1x  x60 mm p17	1x  x50 mm f35	30x  x12mm r1	4x  r10	22x  20/9 r16	22x  16 s2
4x  silikon x1,8mm o21								

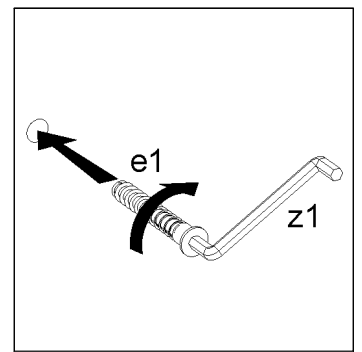
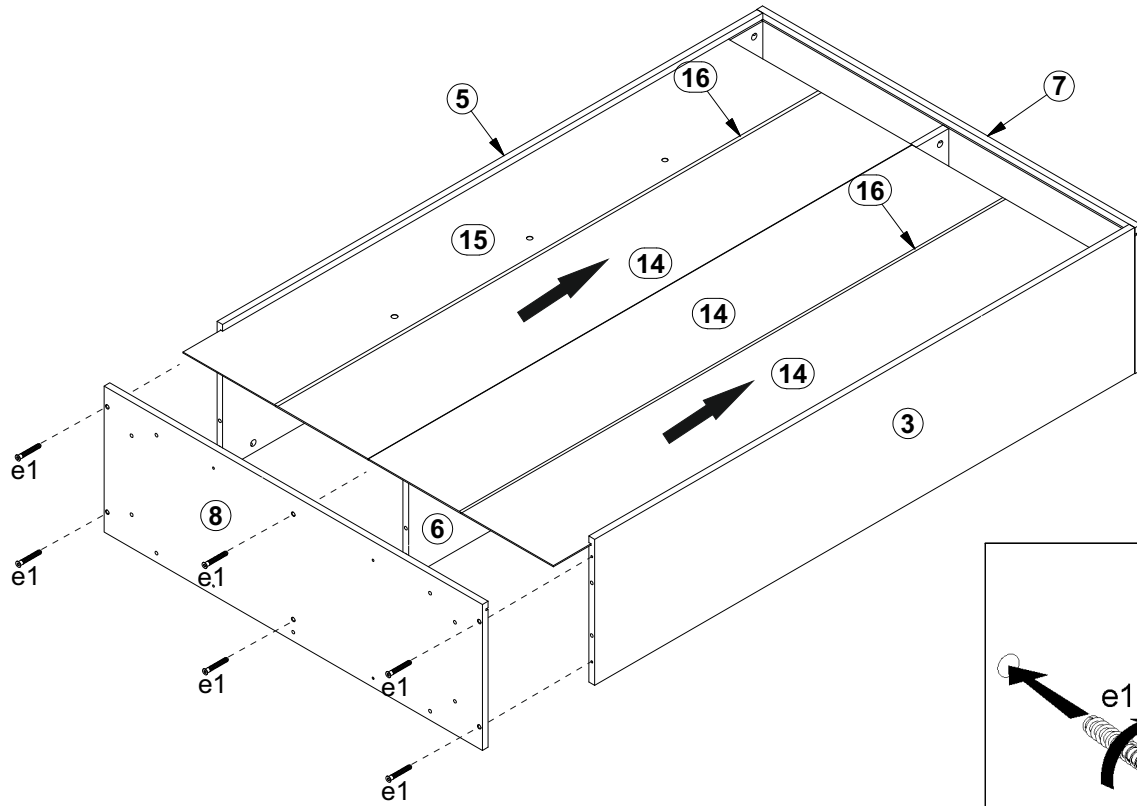
# 1



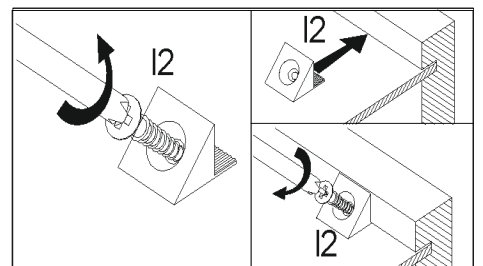
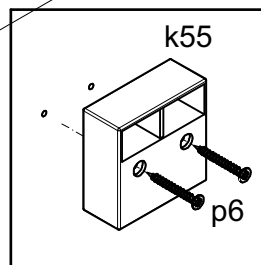
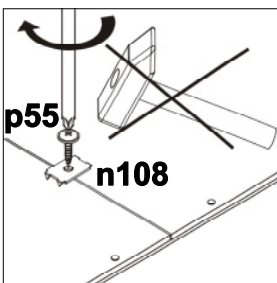
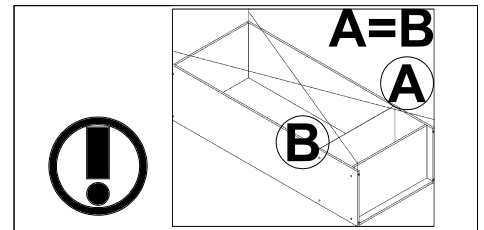
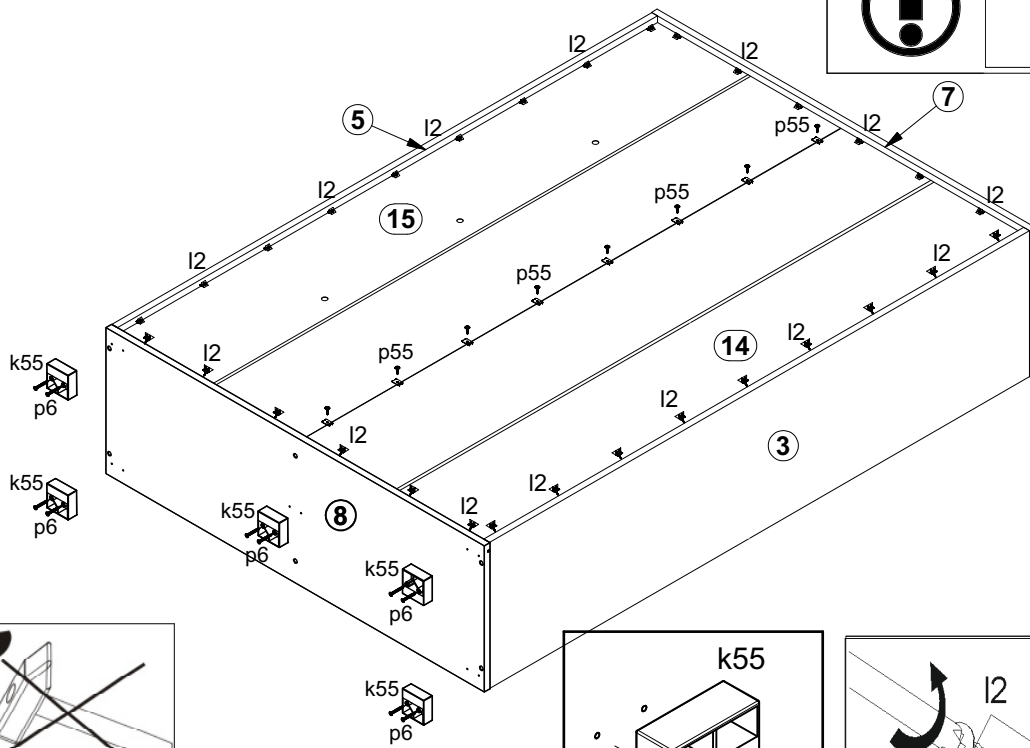
# 2



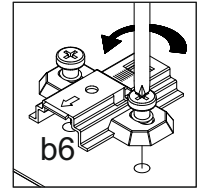
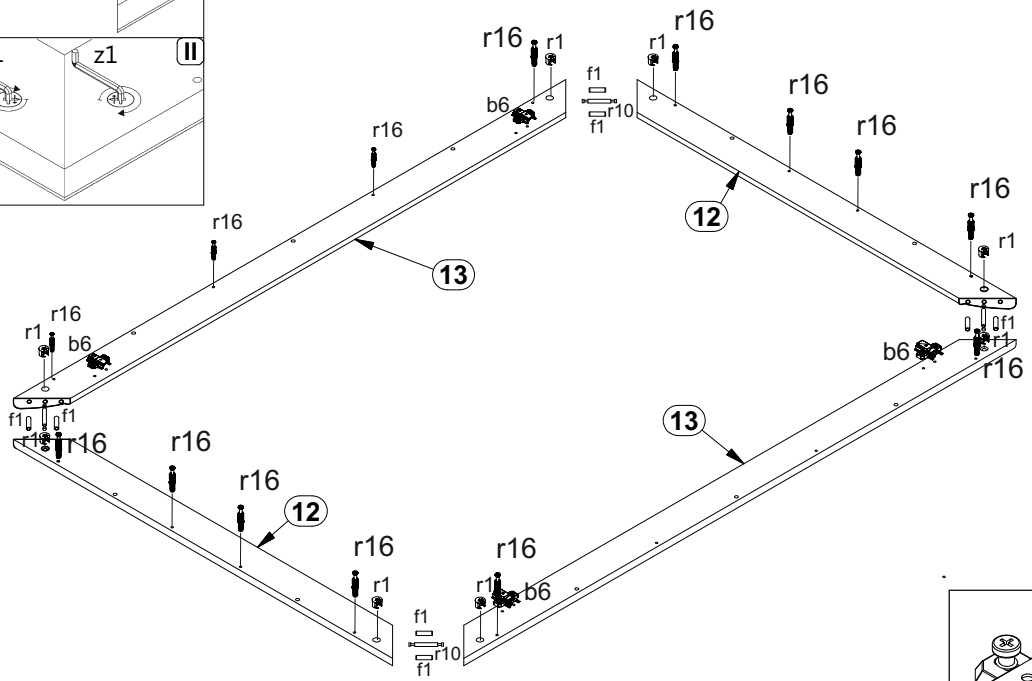
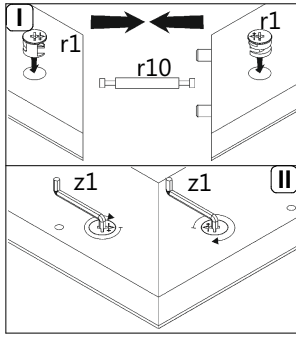
# 3



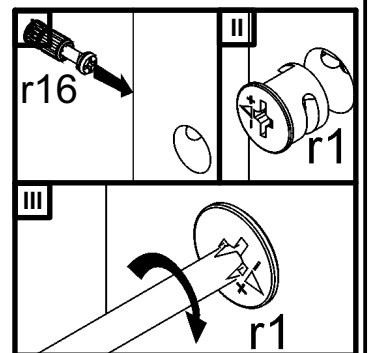
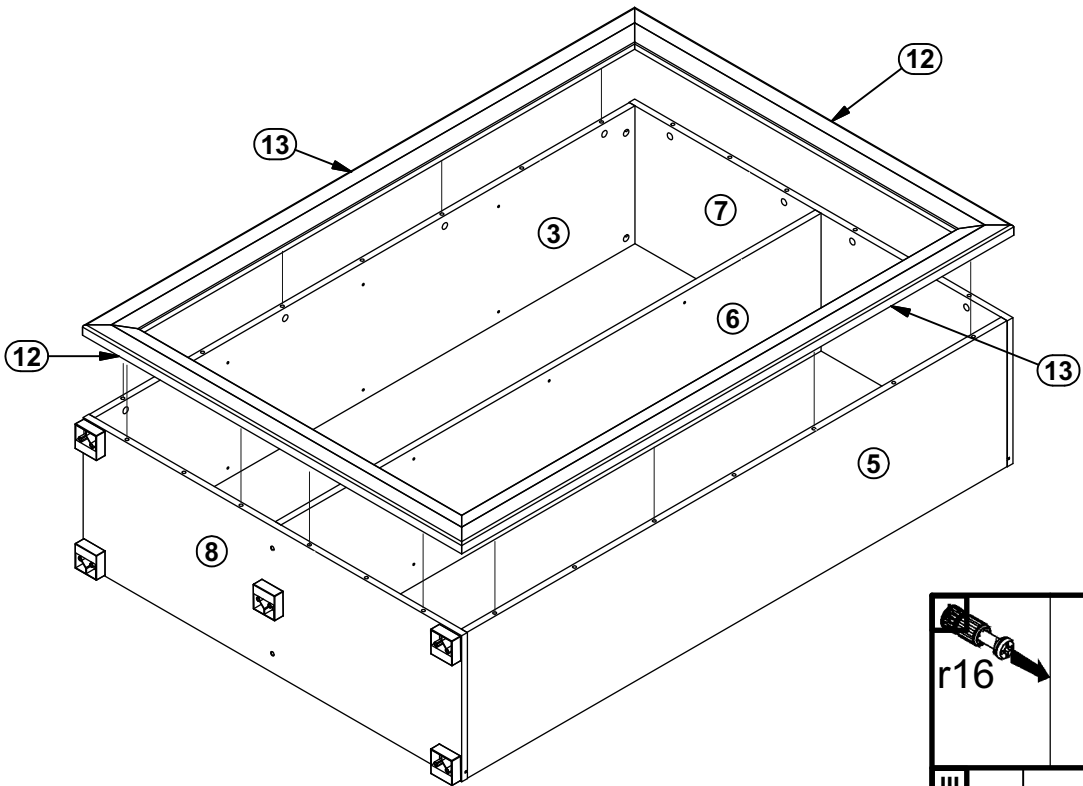
# 4



# 5



# 6



# 7

