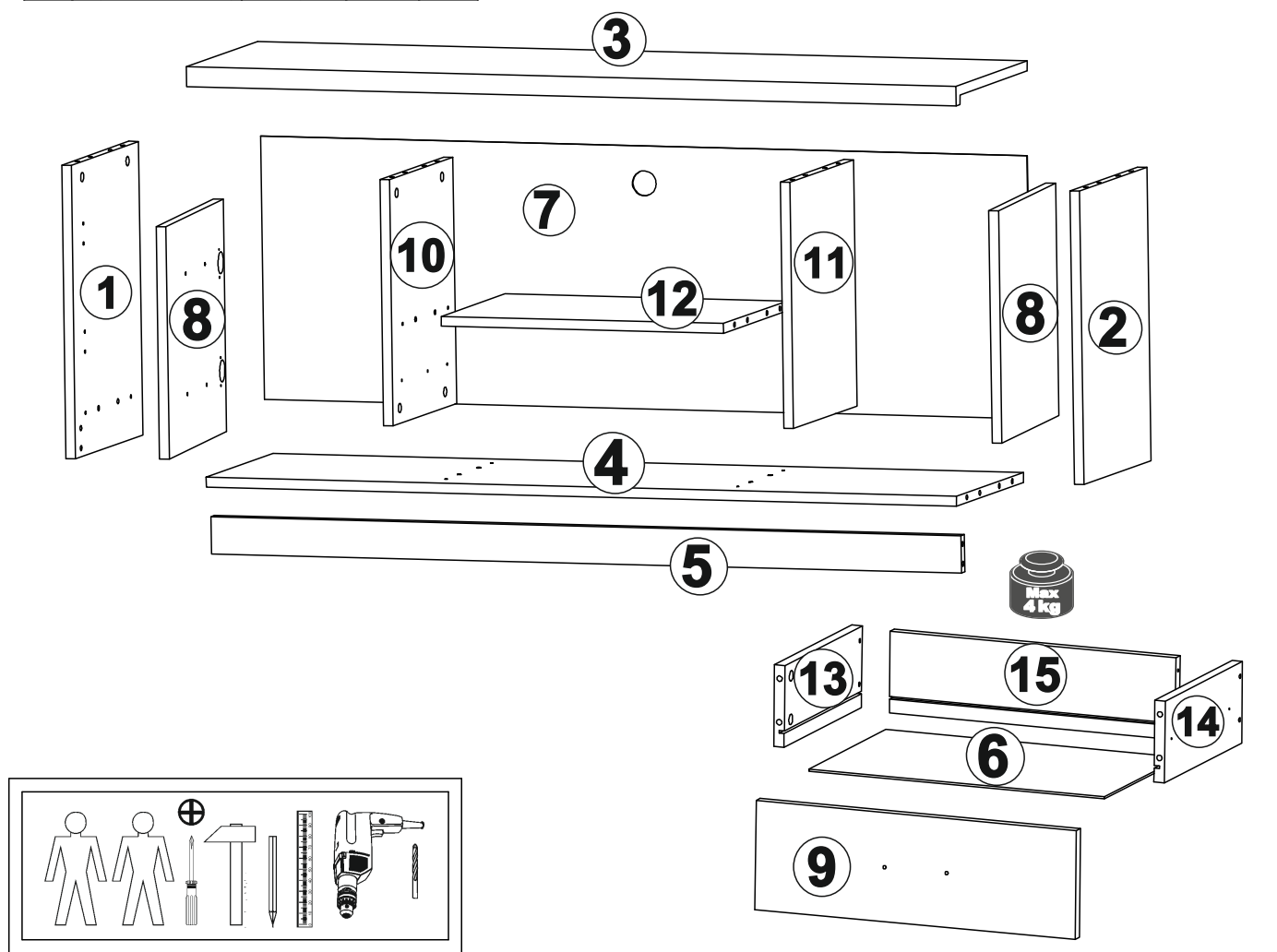
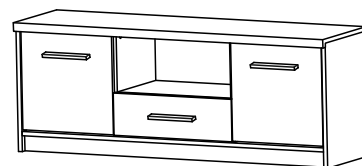
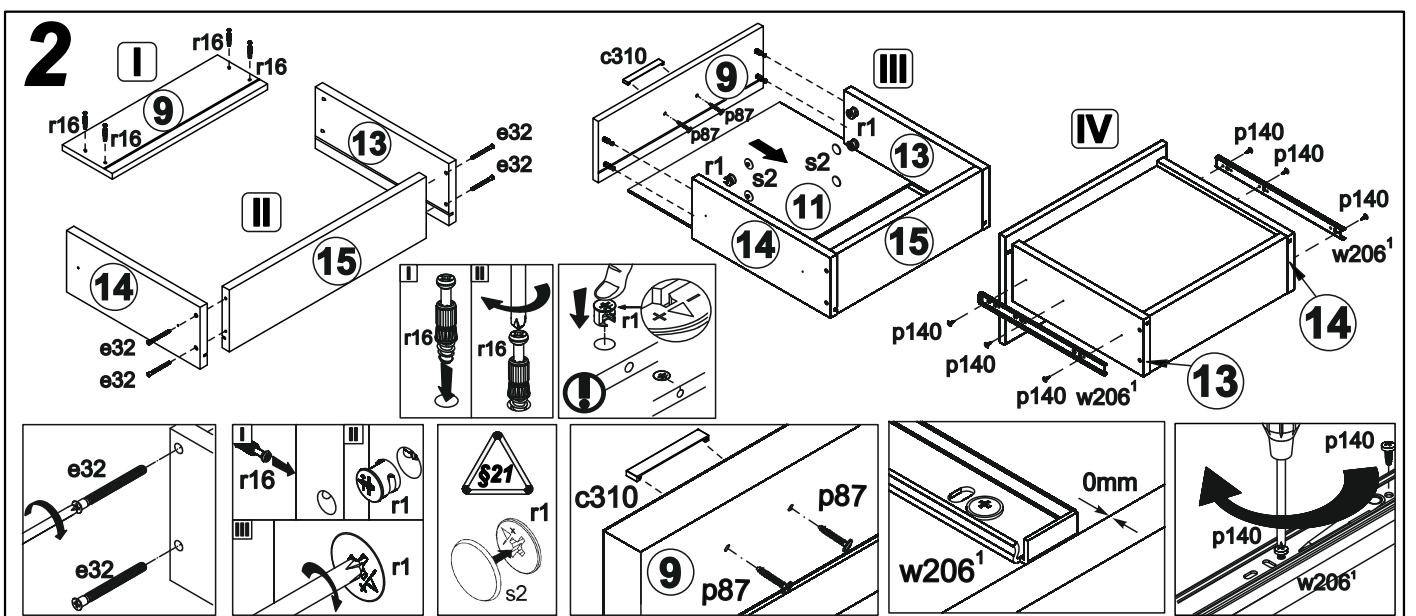
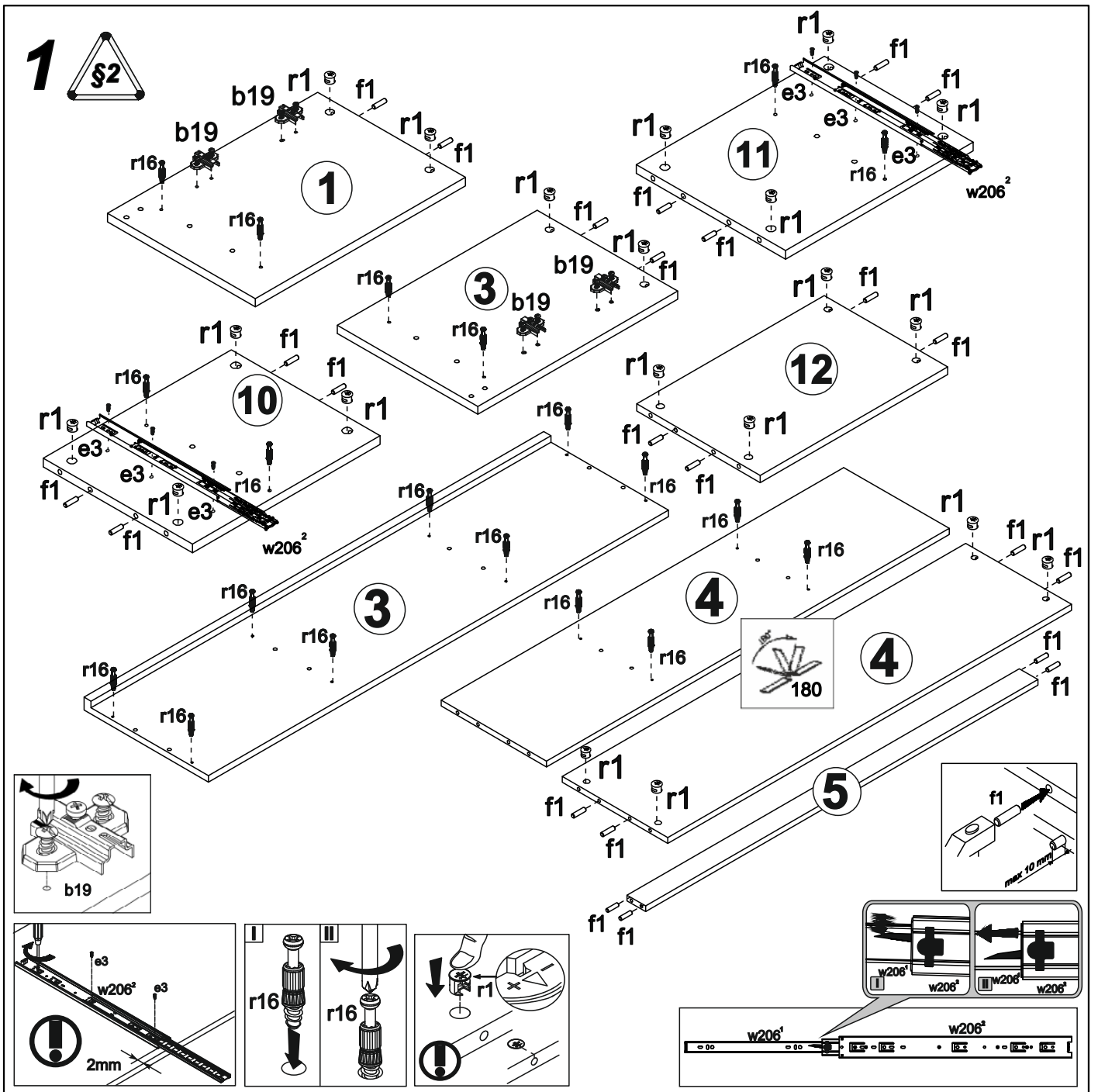


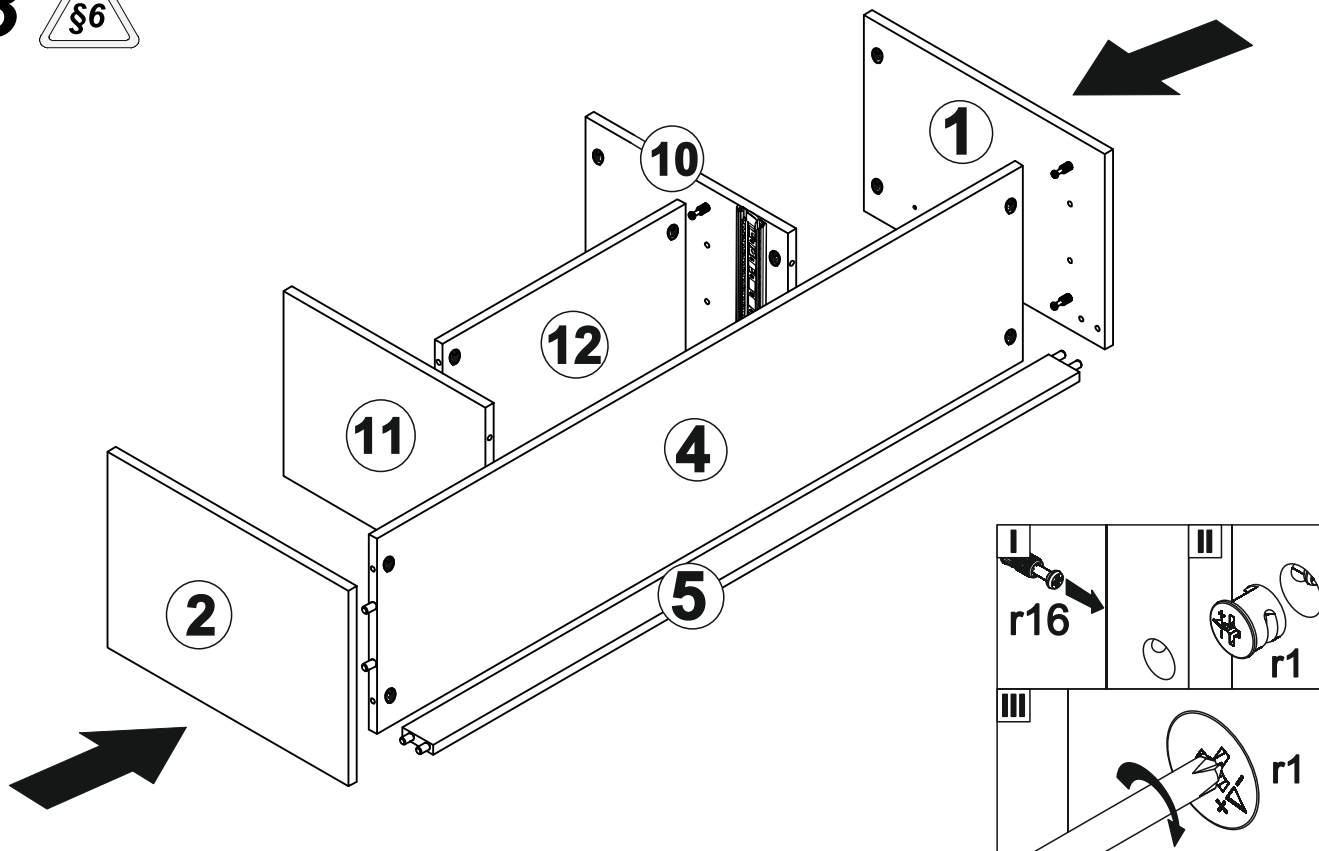
A	B	C		D
1	SN1-127	472	332	1/2
2	SN1-128	472	332	1/2
3	SN1-208	1299	352	1/2
4	SN1-324	1266	331	1/2
5	SN1-409	1266	60	1/2
6	SN1-910	433	299	1/2
7	SN1-911	1293	423	1/2
8	SN1-015	374	380	2/2
9	SN1-016	495	160	2/2
10	SN1-129	396	314	2/2
11	SN1-130	396	314	2/2
12	SN1-325	476	314	2/2
13	SN1-504	300	120	2/2
14	SN1-505	300	120	2/2
15	SN1-510	418	120	2/2



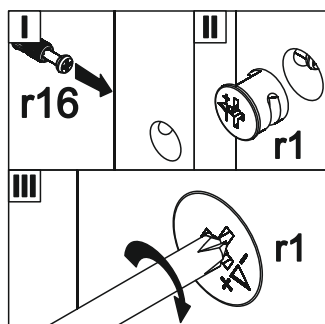
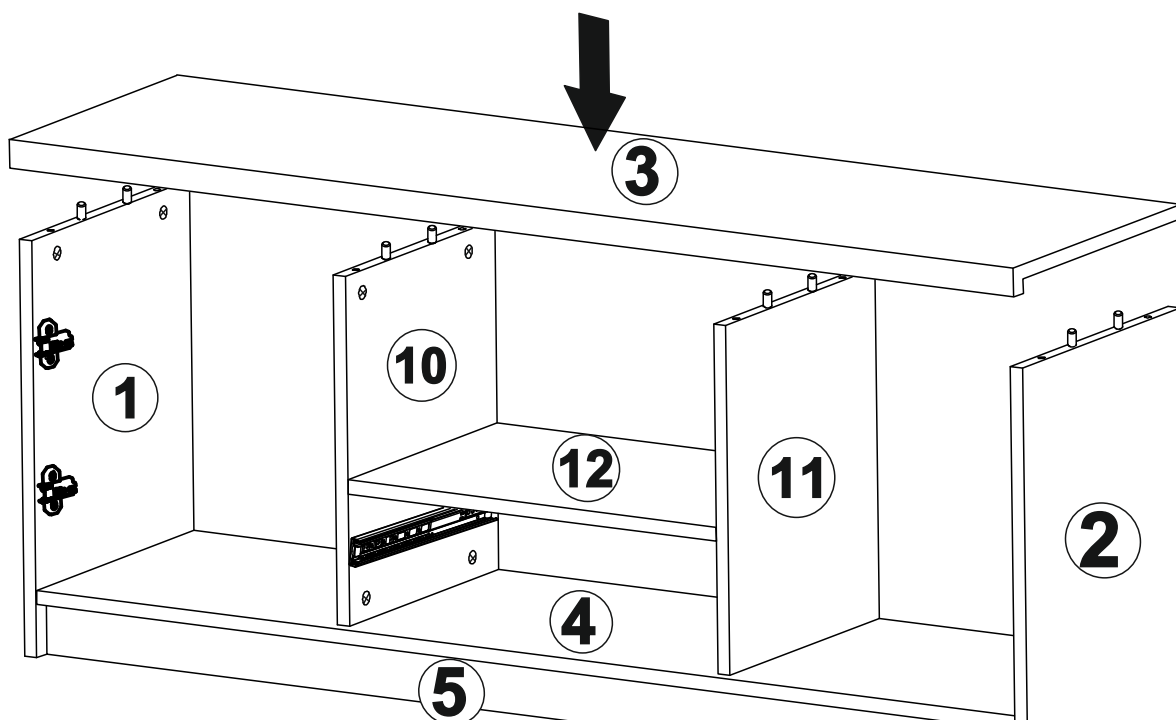
4x φ5x50 mm <b>e32</b>	24x φ8x30 mm <b>f1</b>	3x <b>c310</b>	6x <b>k1</b>	50x <b>l1</b>	2x 300 mm <b>w206<sup>1</sup></b>	2x 300 mm <b>w206<sup>2</sup></b>	8x φ3,5x15 mm <b>p51</b>
6x φ3,5x12 mm <b>p140</b>	24x φ15x12mm #16 <b>r1</b>	24x 20/9 <b>r16</b>	12x φ16 <b>s2</b>	6x φ4x25 mm <b>p87</b>	6x φ6x13 mm <b>e3</b>	4x <b>a43</b>	4x <b>b19</b>
4x φ5 <b>s4</b>							



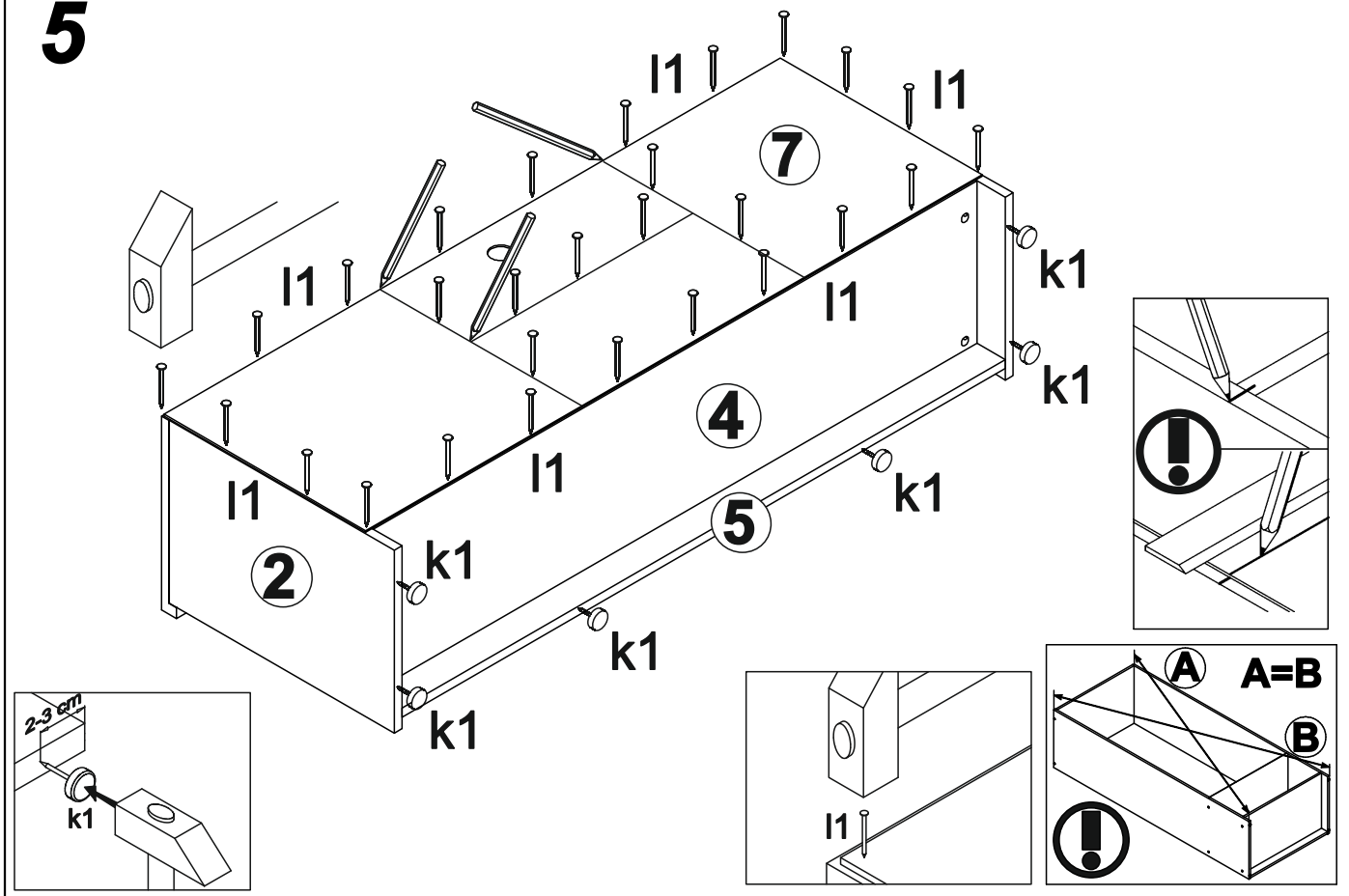
**3** 



**4**



# 5



# 6

