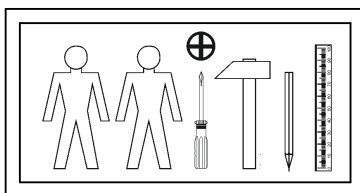
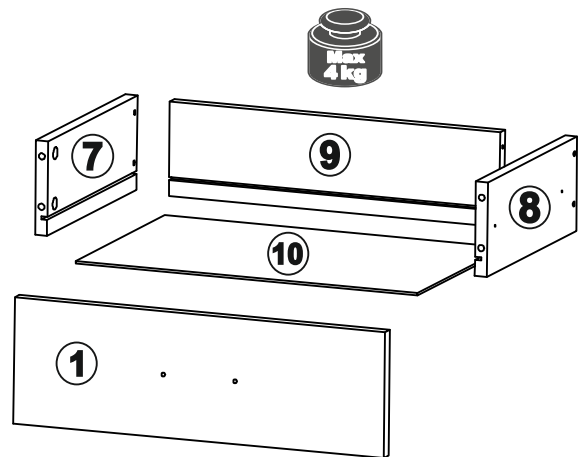
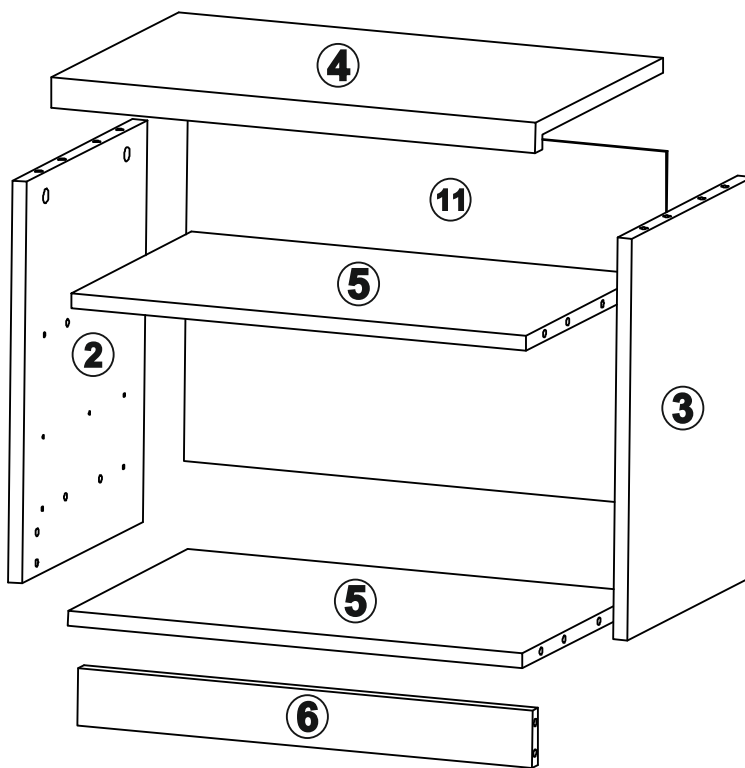
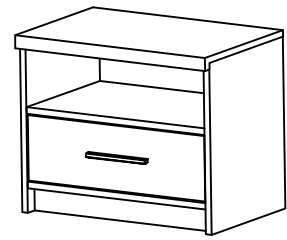
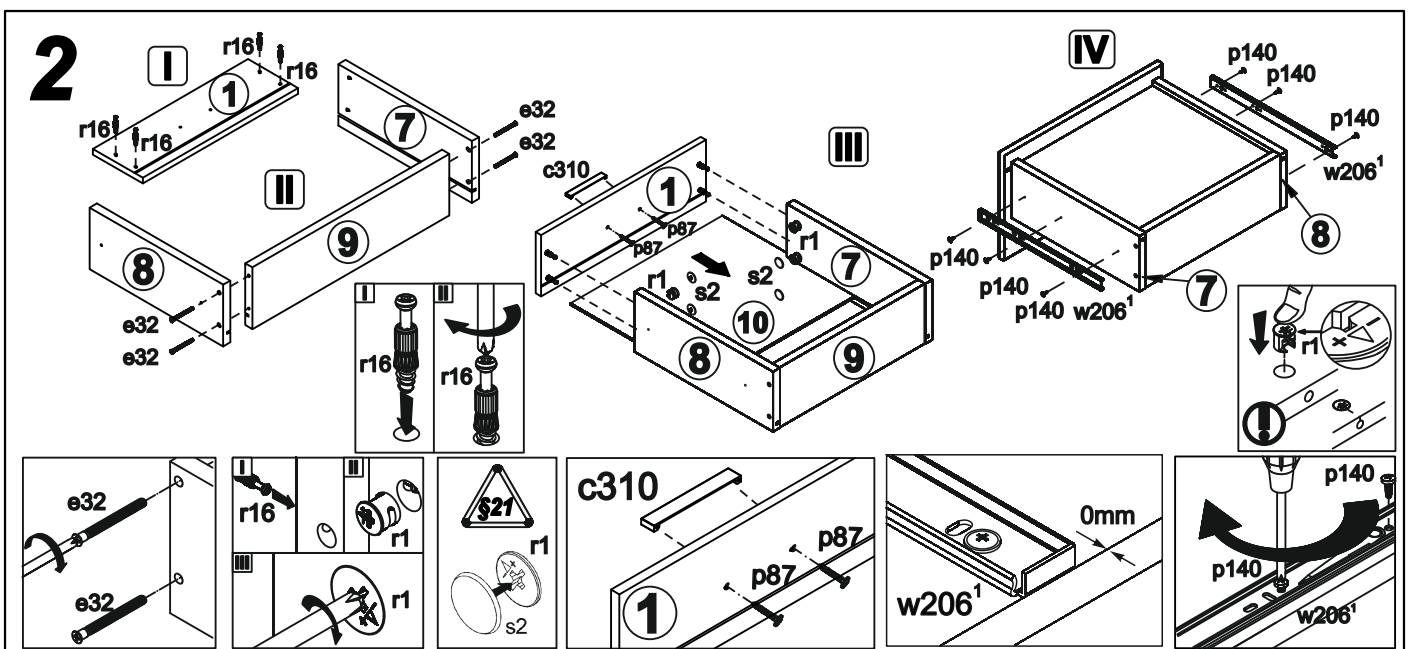
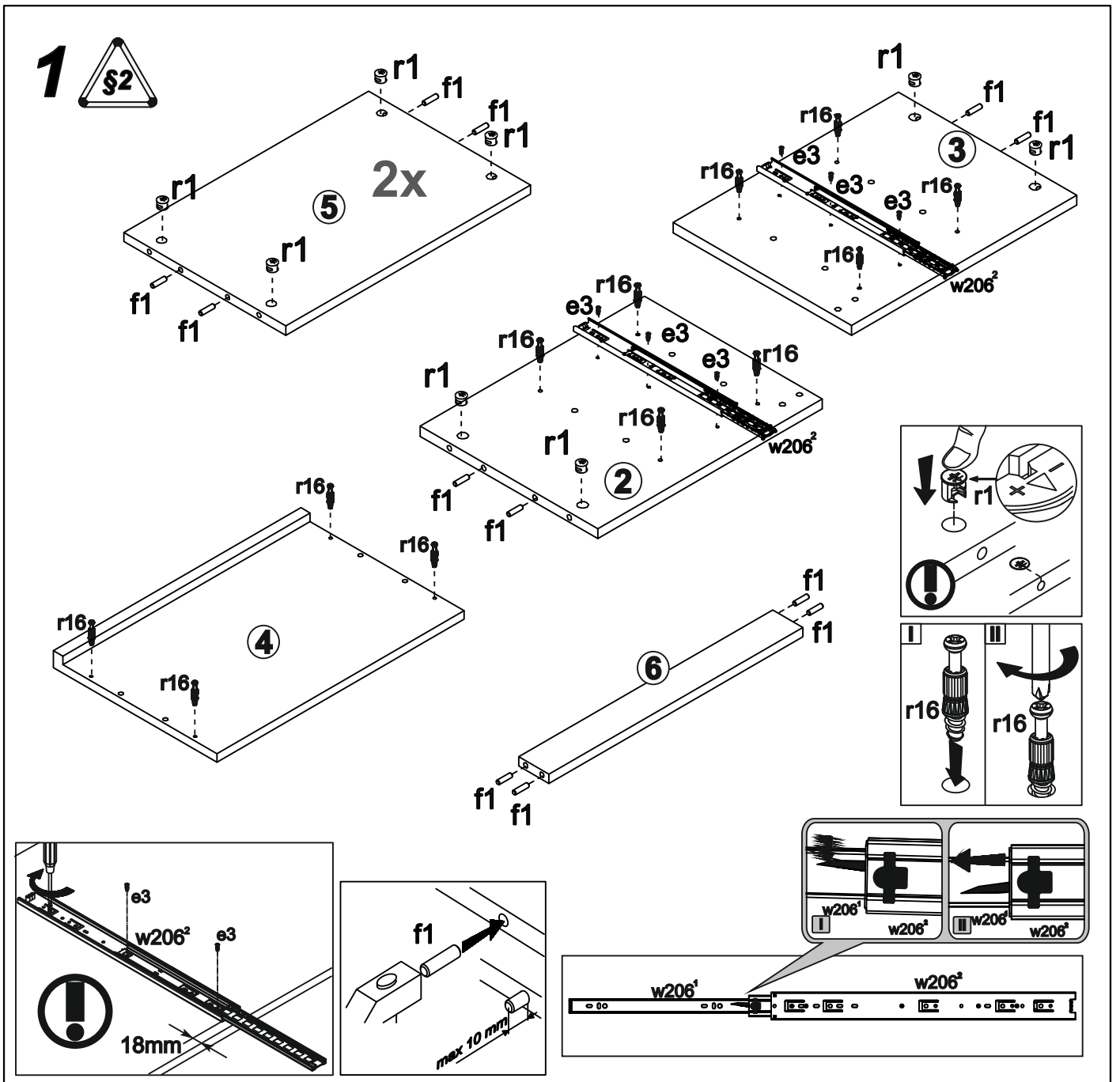
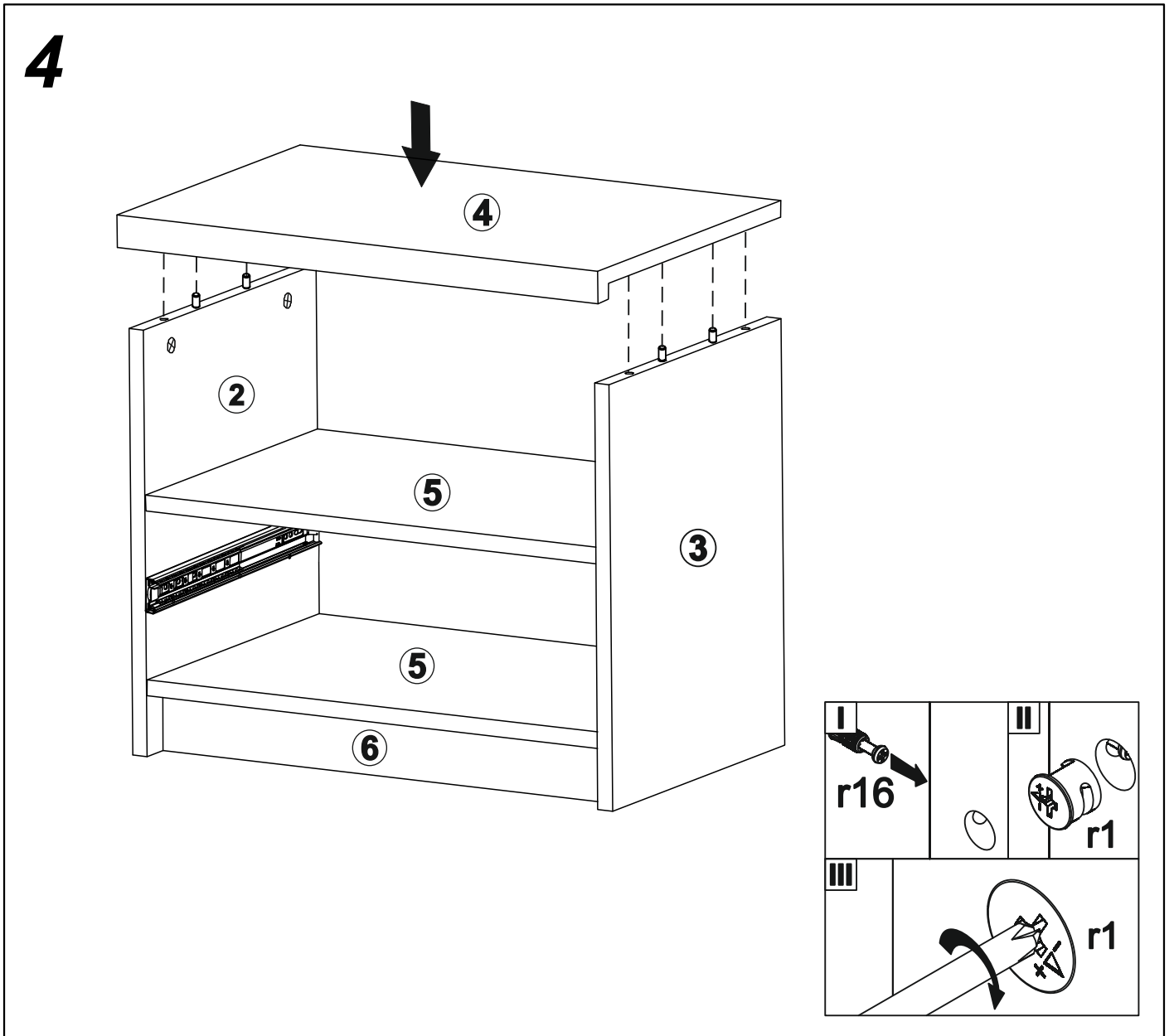
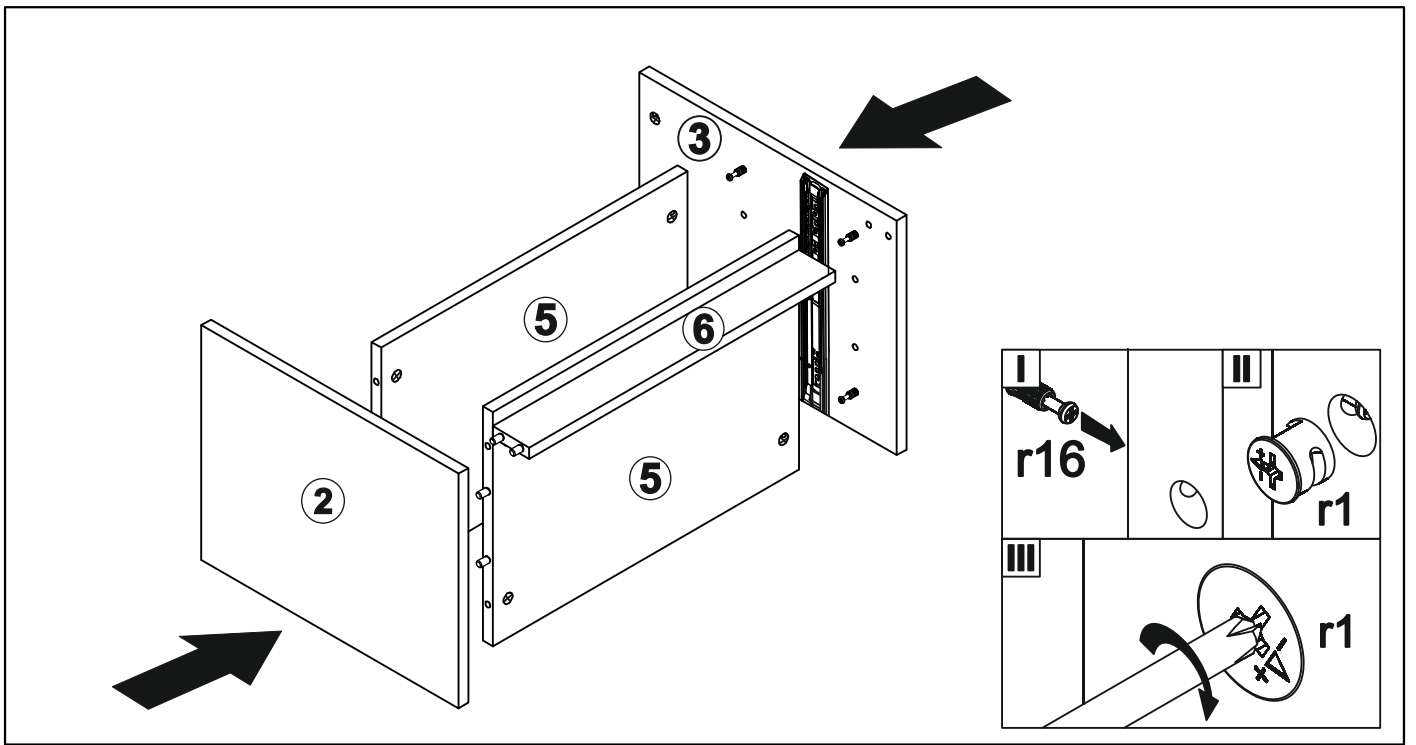


A	B	C		D
1	SN1-008	495	160	1/1
2	SN1-115	420	332	1/1
3	SN1-116	420	332	1/1
4	SN1-202	533	352	1/1
5	SN1-310	500	331	1/1
6	SN1-403	500	60	1/1
7	SN1-504	300	120	1/1
8	SN1-505	300	120	1/1
9	SN1-525	442	120	1/1
10	SN1-903	457	299	1/1
11	SN1-906	371	527	1/1

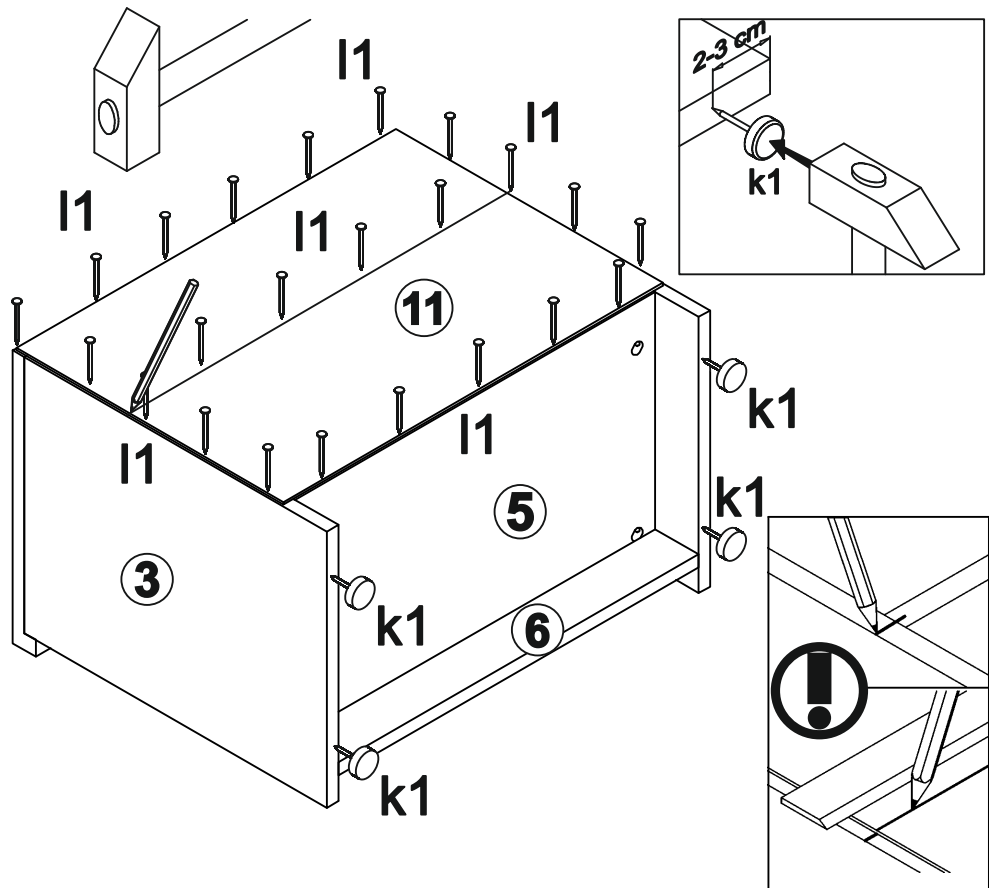
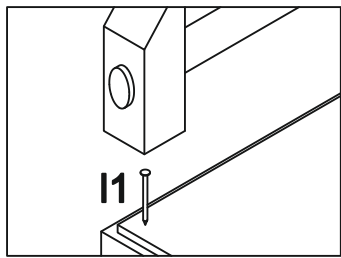
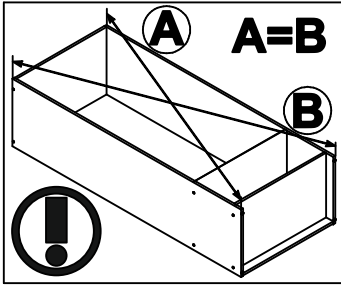


4x φ5x50 mm <b>e32</b>	16x φ8x30 mm <b>f1</b>	1x <b>c310</b>	4x <b>k1</b>	20x <b>l1</b>	2x 300 mm <b>w206<sup>1</sup></b>	2x 300 mm <b>w206<sup>2</sup></b>
6x φ3,5x12 mm <b>p140</b>	16x φ15x12mm #16 <b>r1</b>	16x 209 <b>r16</b>	8x φ16 <b>s2</b>	2x φ4x25 mm <b>p87</b>	6x φ6x13 mm <b>e3</b>	





# 5



# 6

