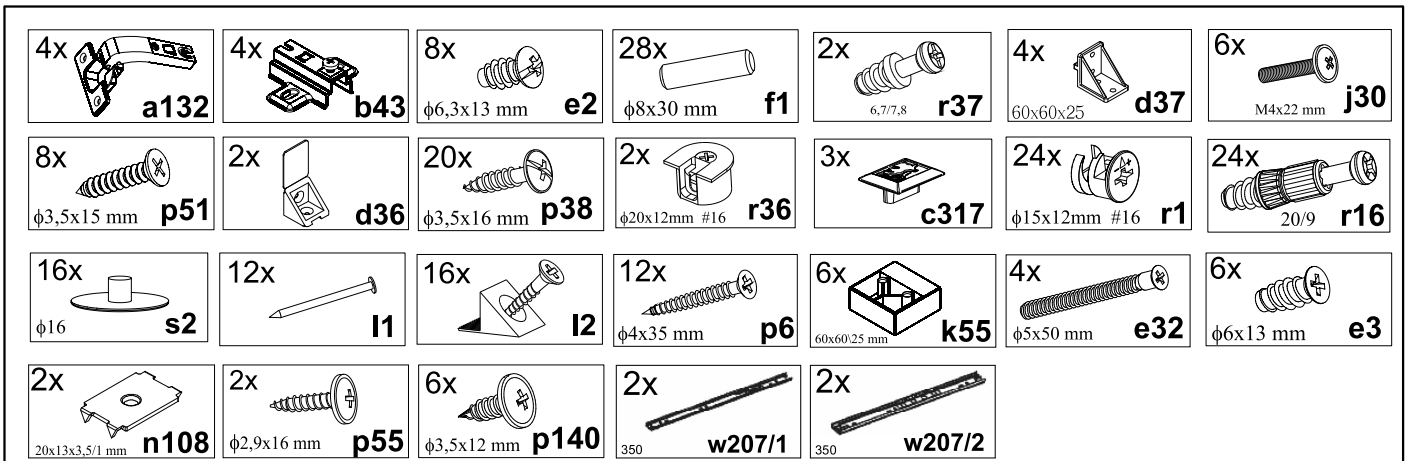
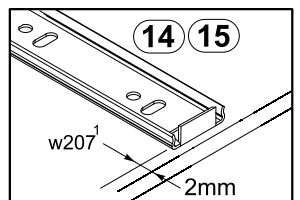
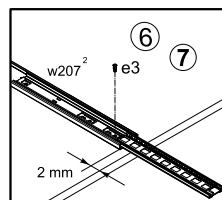
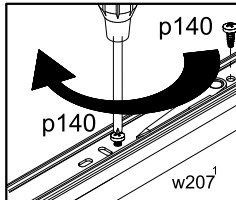
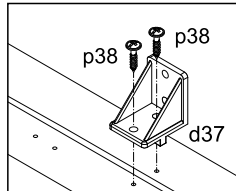
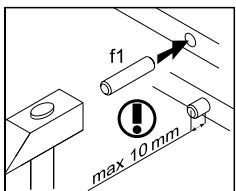
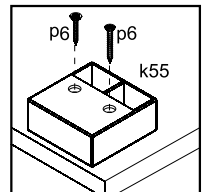
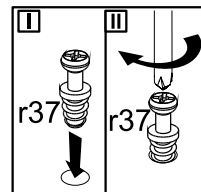
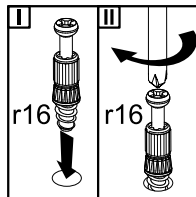
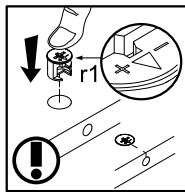
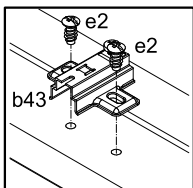
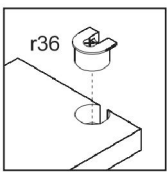
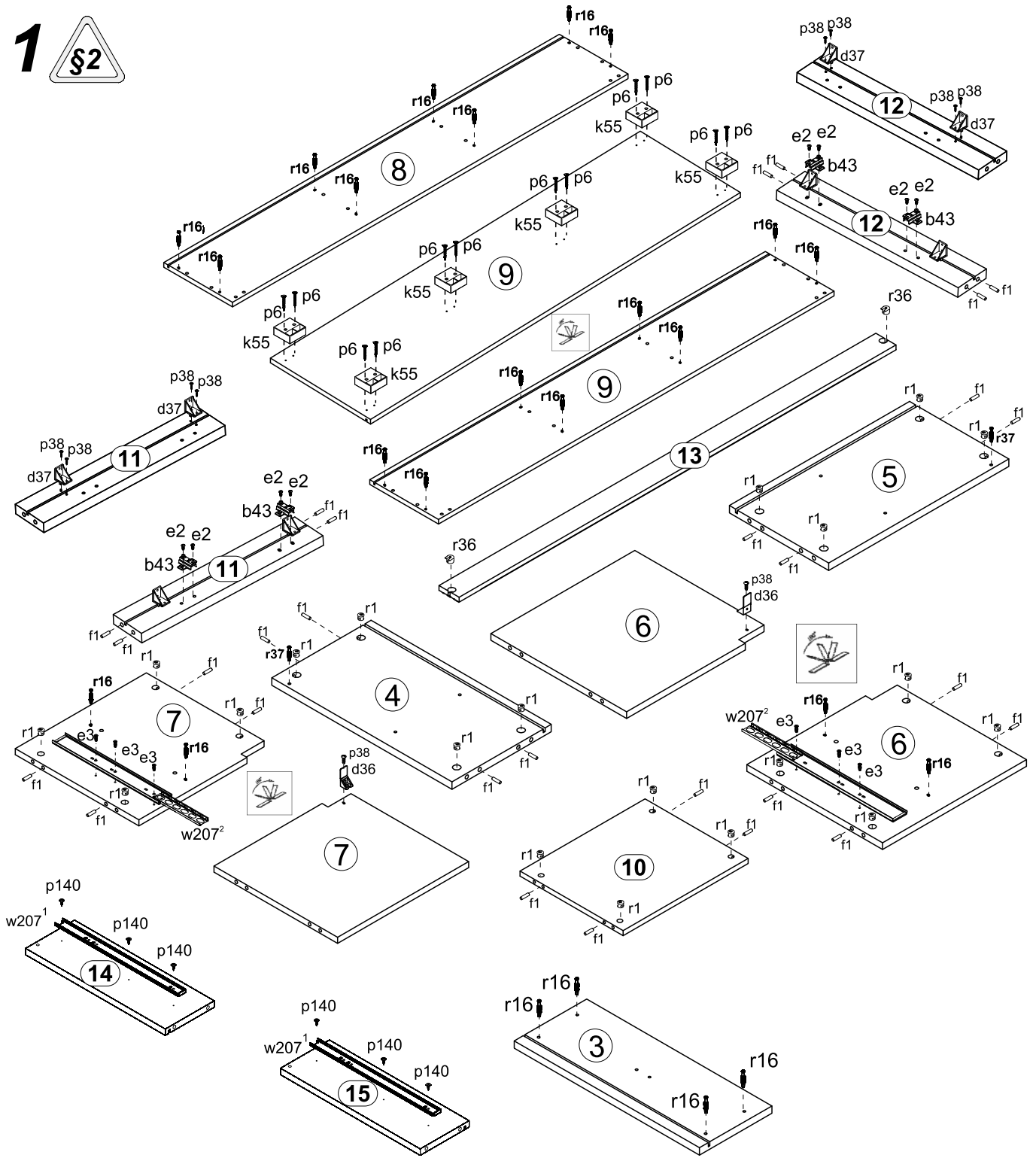


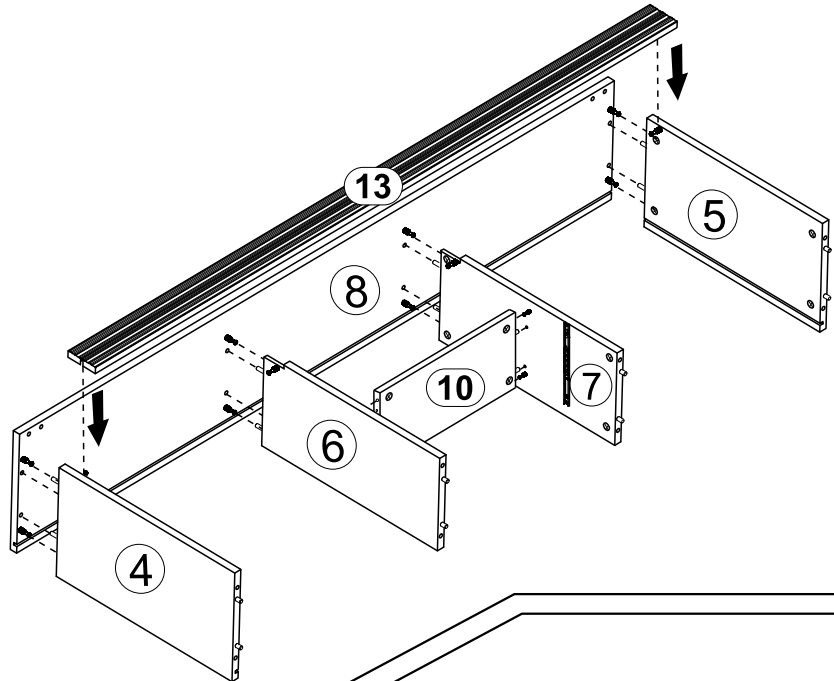
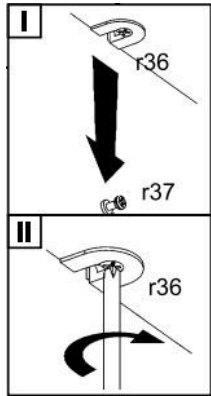
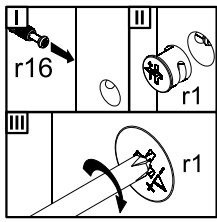
A	B	C	D	
1	SF1-016	335	460	2/2
2	SF1-017	335	460	2/2
3	SF1-018	460	180	2/2
4	SF1-118	400	397	1/2
5	SF1-119	400	397	1/2
6	SF1-120	400	377	1/2
7	SF1-121	400	377	1/2
8	SF1-211	1553	433	1/2
9	SF1-212	1553	420	1/2
10	SF1-311	457	377	1/2
11	SF1-419	400	80	1/2
12	SF1-420	400	80	1/2
13	SF1-416	1519	70	1/2
14	SF1-551	350	140	1/2
15	SF1-552	350	140	1/2
16	SF1-554	399	140	1/2
17	SF1-912	349	414	1/2
18	SF1-913	1533	228	1/2
19	SF1-914	1533	185	1/2
20	LH-514	514	14	1/2



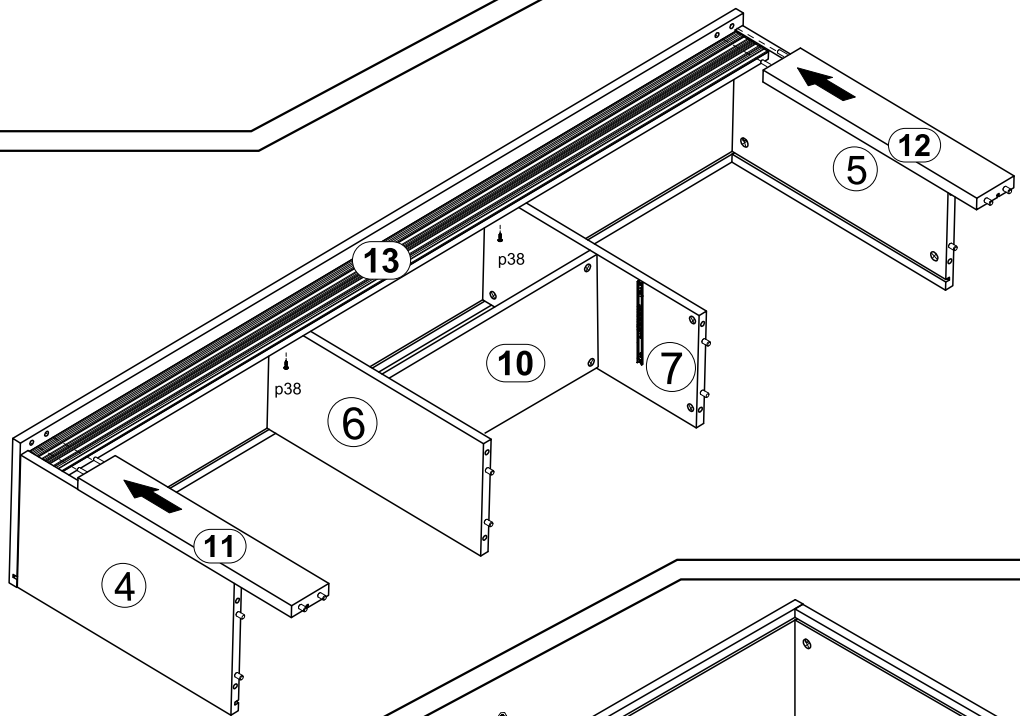
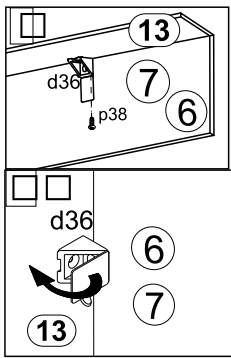
1



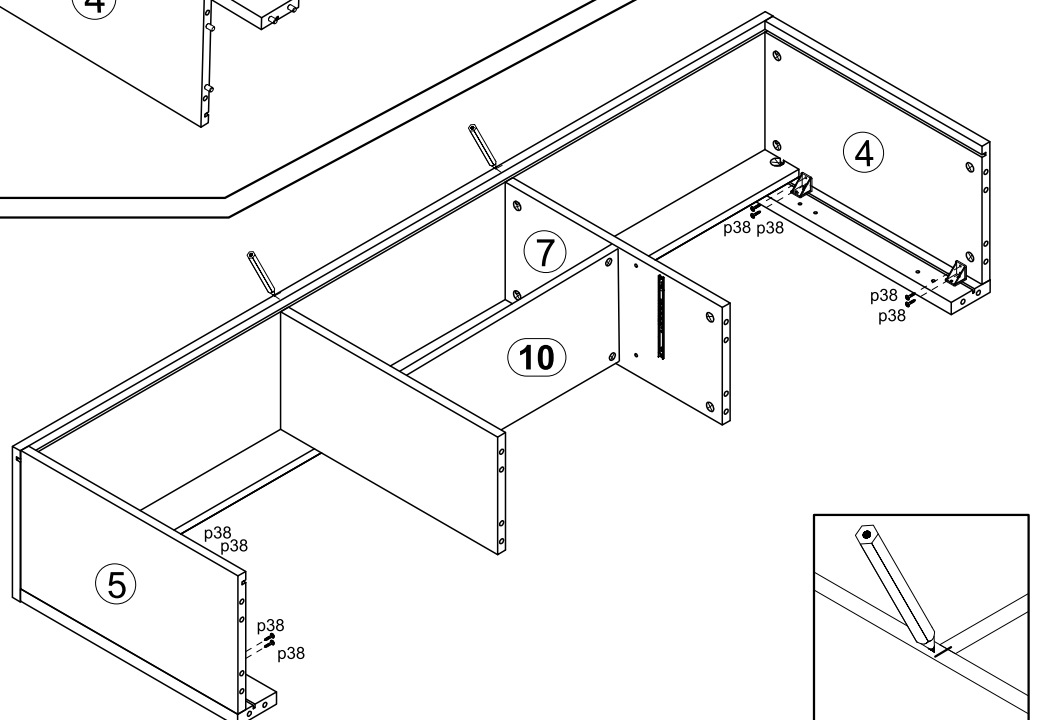
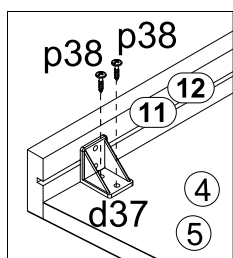
2



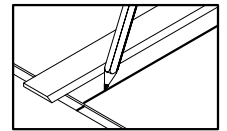
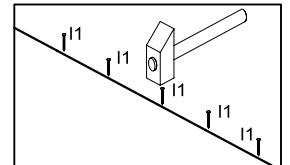
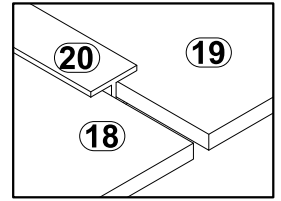
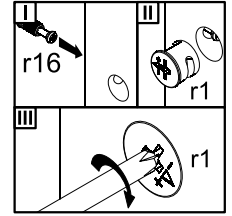
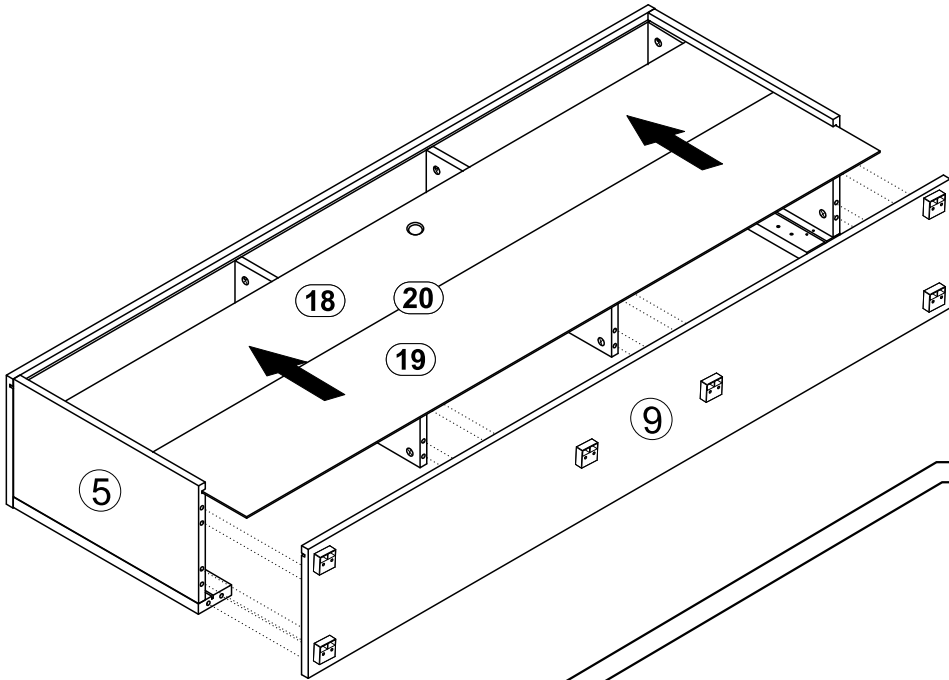
3



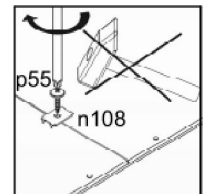
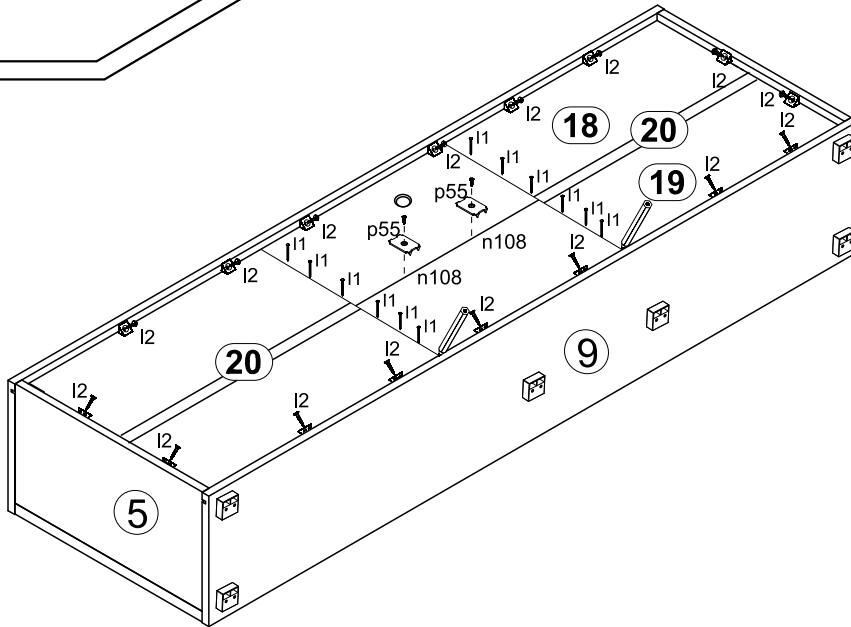
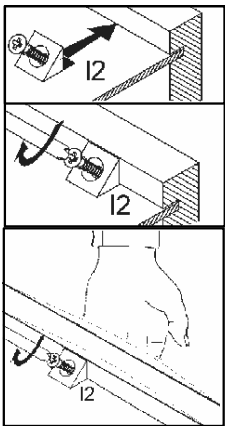
4



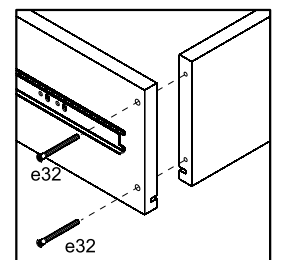
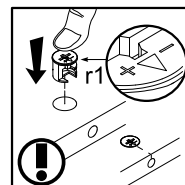
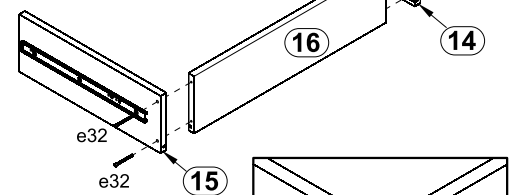
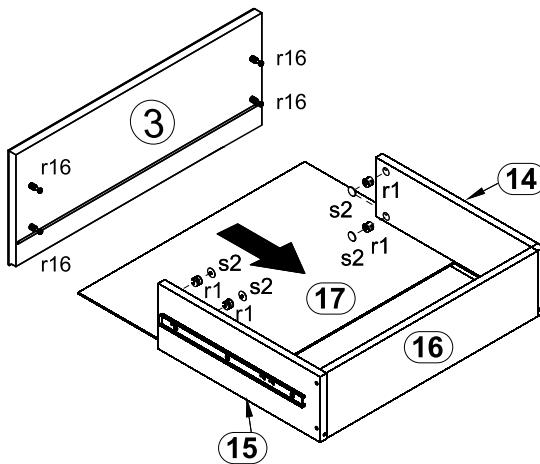
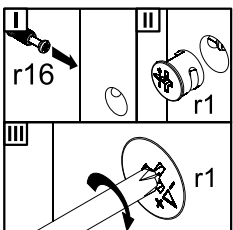
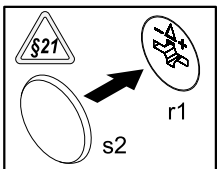
5



6



7



8

