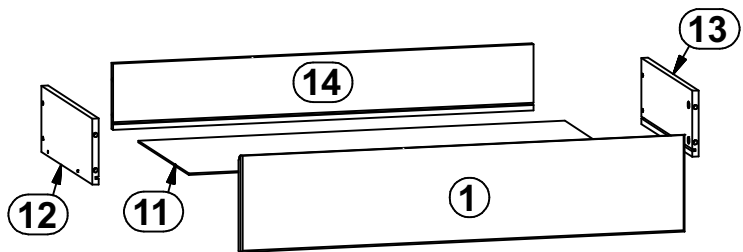
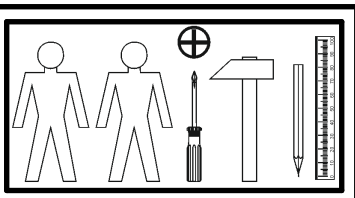
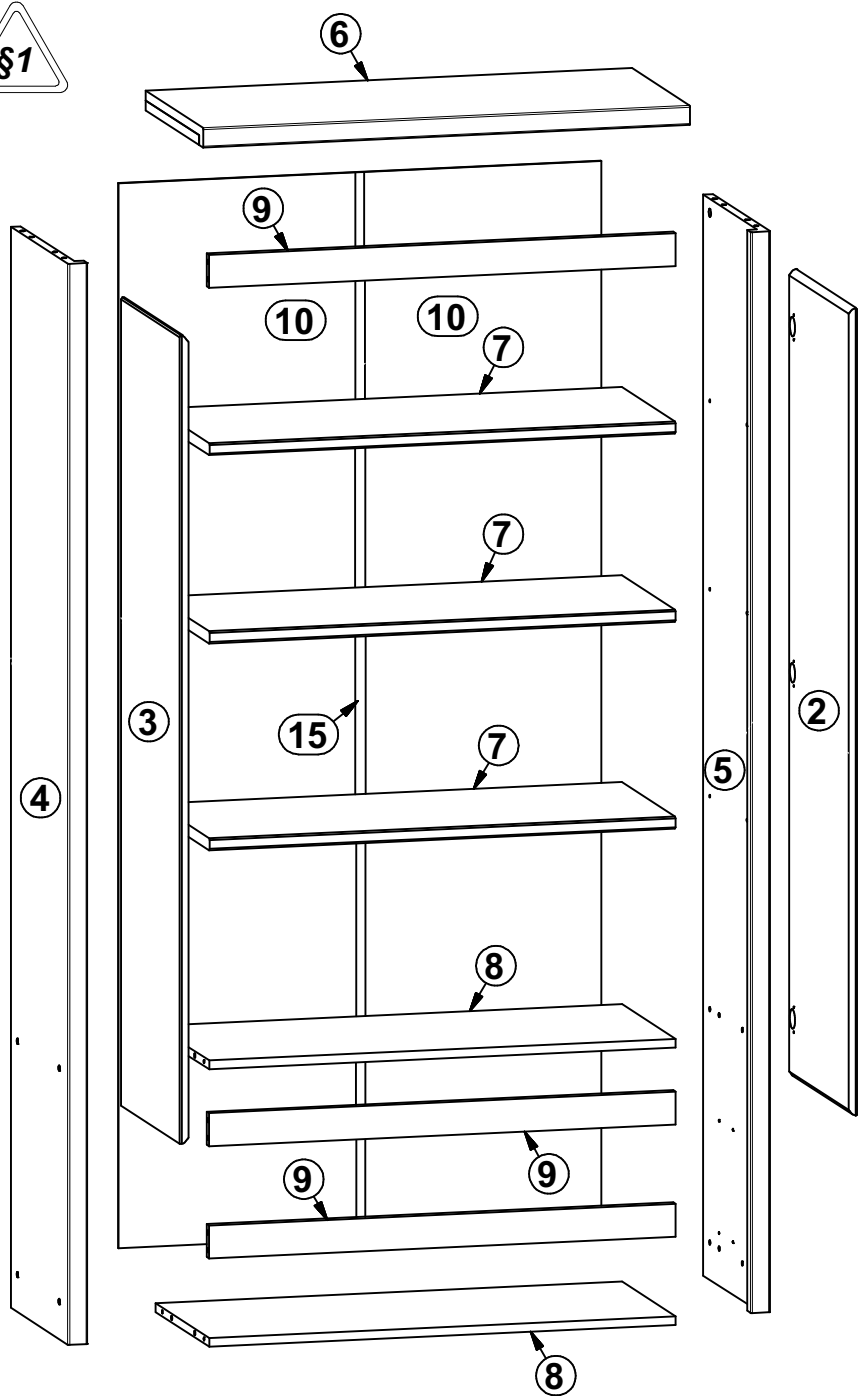
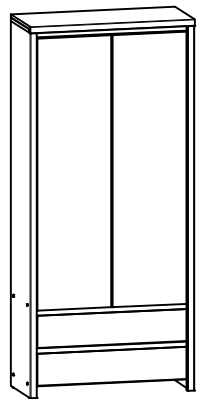


# KASPIAN 2

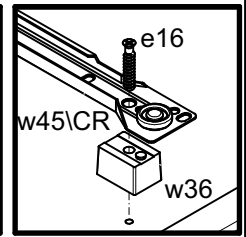
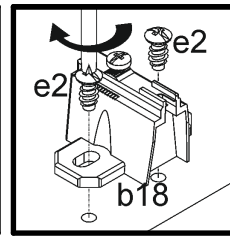
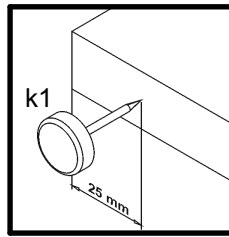
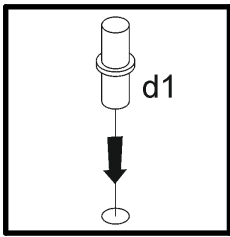
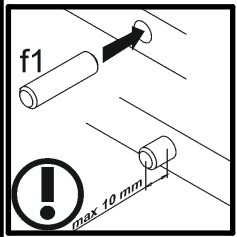
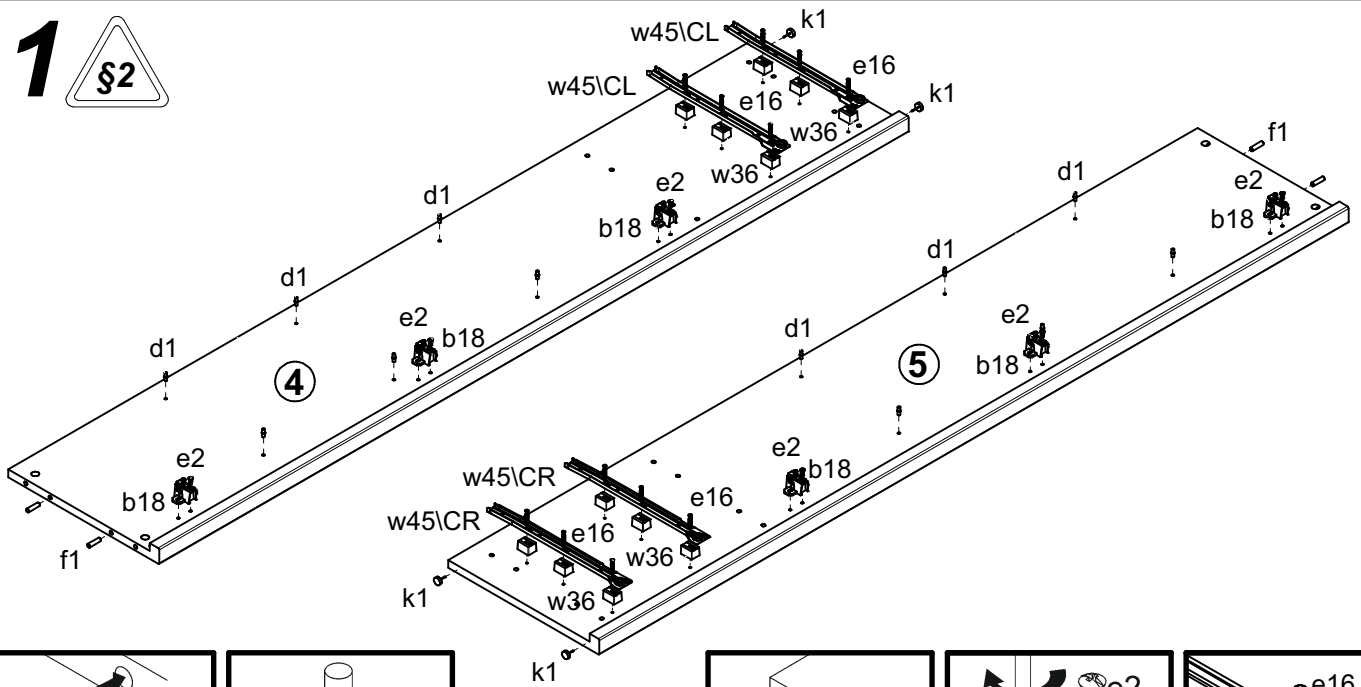
# S128-REG2D2S

A	B	C	D	
1	S128-0002	822	176	3/4
2	S128-0025	1468	410	4/4
3	S128-0026	1468	410	4/4
4	S128-105	1964	396	1/4
5	S128-106	1964	396	1/4
6	S128-209	900	399	2/4
7	S128-316N	862	370	2/4
8	S128-326	863	370	2/4
9	S128-401	863	60	2/4
10	S128-1902	1935	446	1/4
11	S128-9926	780	348	1/4
12	BP-503	350	120	2/4
13	BP-504	350	120	2/4
14	ZP-5503	770	120	2/4
15	Lh-1905	1905	14	1/4

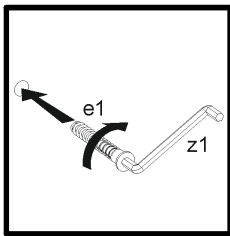
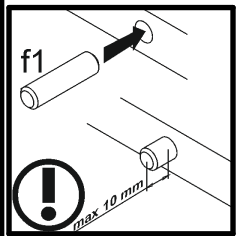
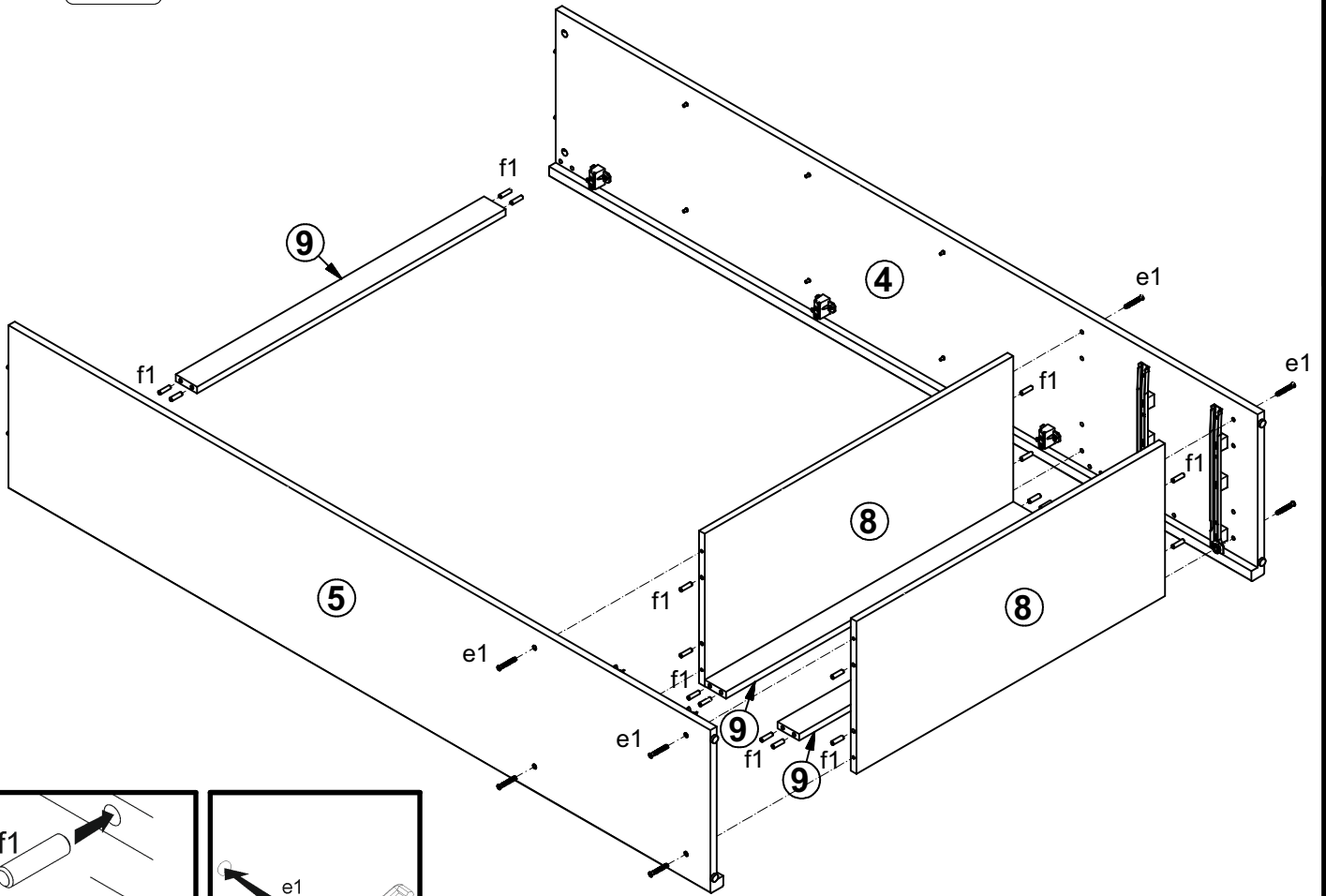


6x  a43	6x  b18	12x  φ5x17 mm d1	8x  φ7x50 mm e1	12x  φ6x30 mm e16	8x  φ5x9 mm e19	12x  φ6,3x13 mm e2	24x  φ8x30 mm f1	8x  φ6,5x40 mm f25
4x  k1	65x  l1	4x  φ3,5x16 mm p25	12x  φ3,5x15 mm p51	12x  φ1,5x12mm #16 r1	12x  r42	8x  s1	2x  ø16 s2	2x  333 mm t19
12x  w36 h=18 mm	2x  350 mm w45\CL	2x  350 mm w45\CR	2x  350 mm w45\DL	2x  350 mm w45\DR	1x  z1	1x  n26\1	1x  φ3,5x16 mm p38	

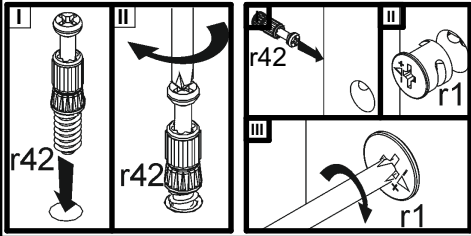
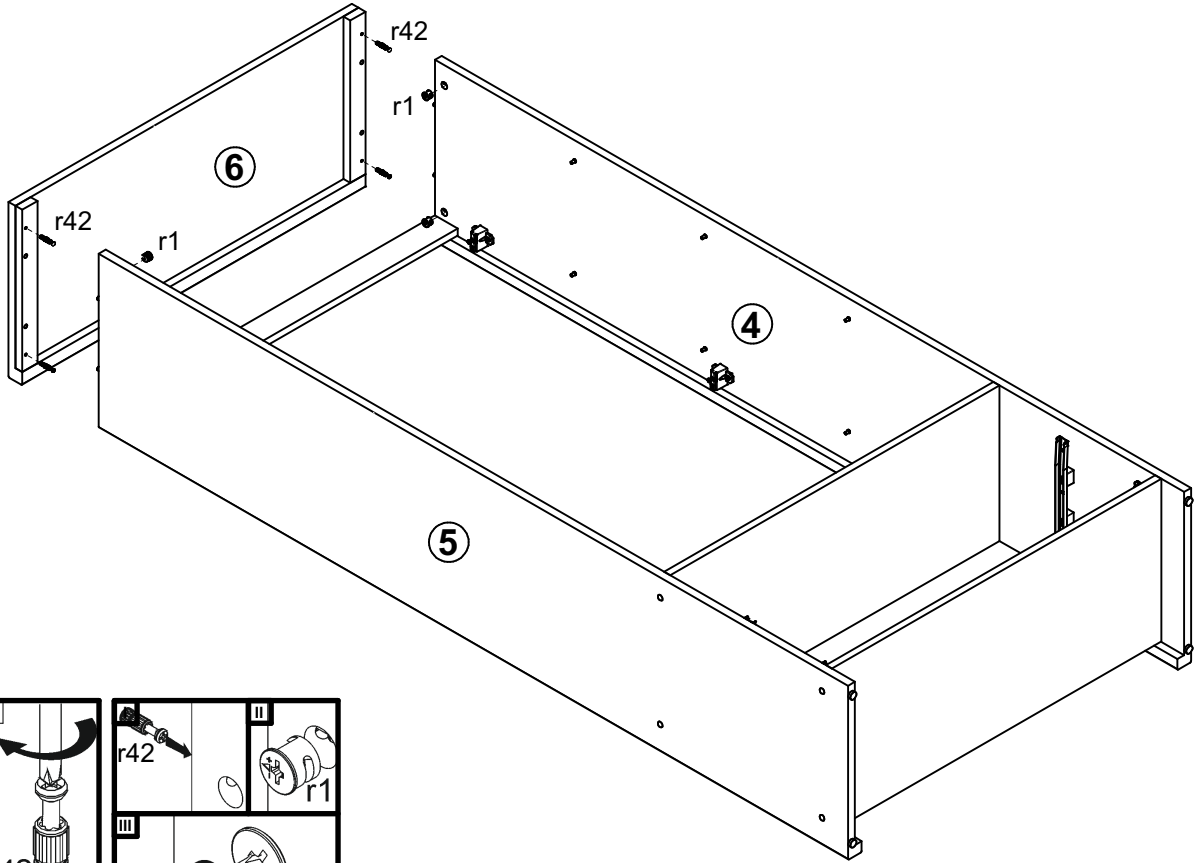
# 1



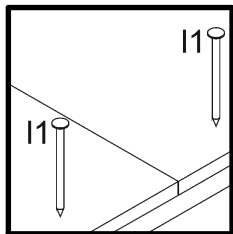
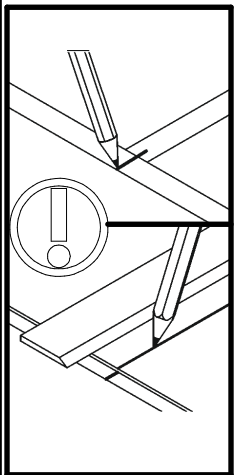
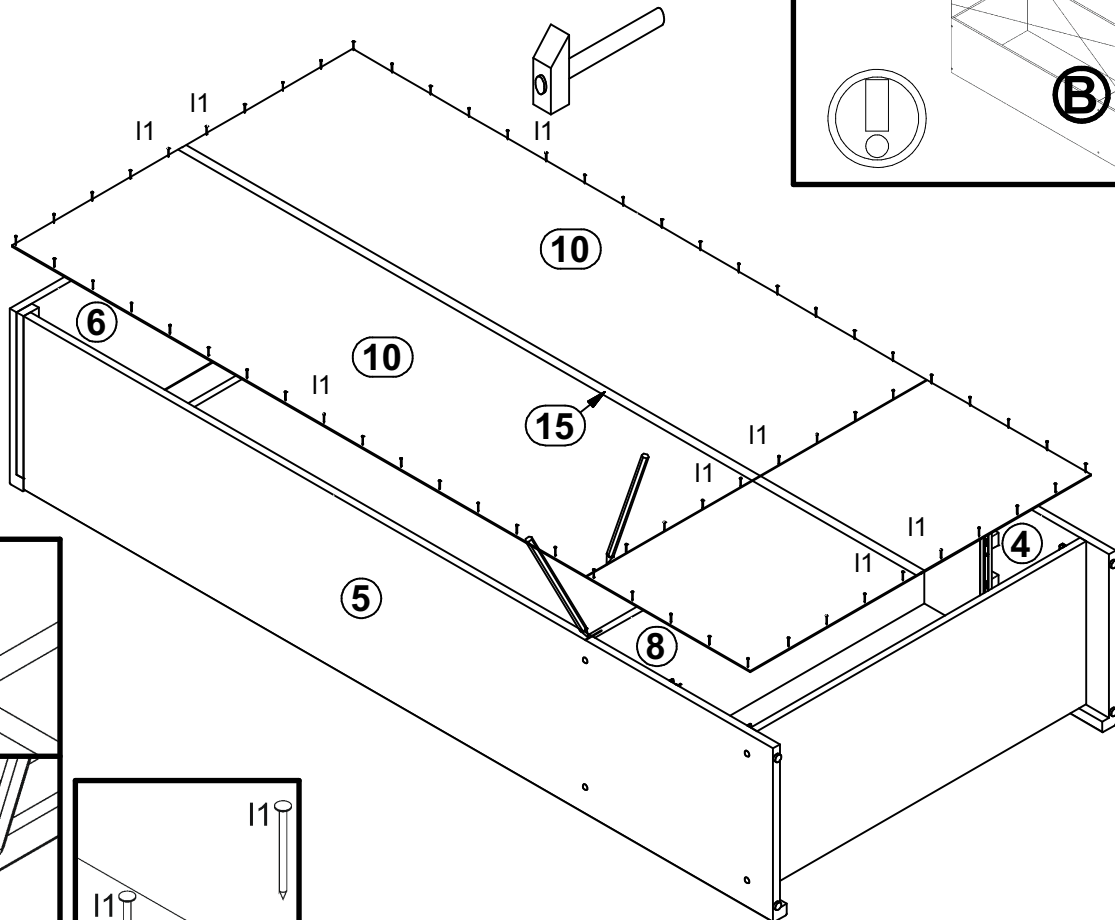
# 2



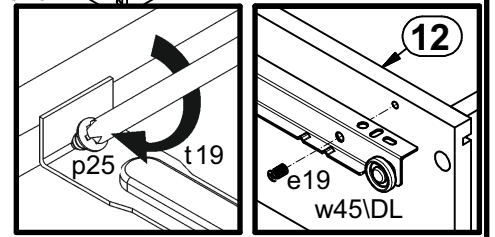
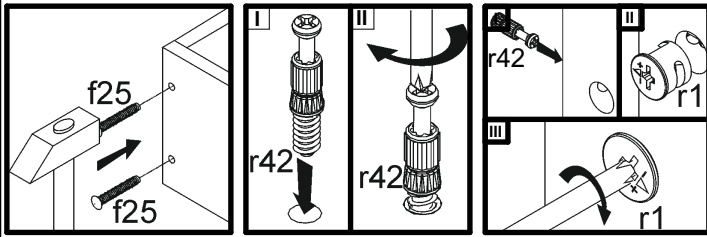
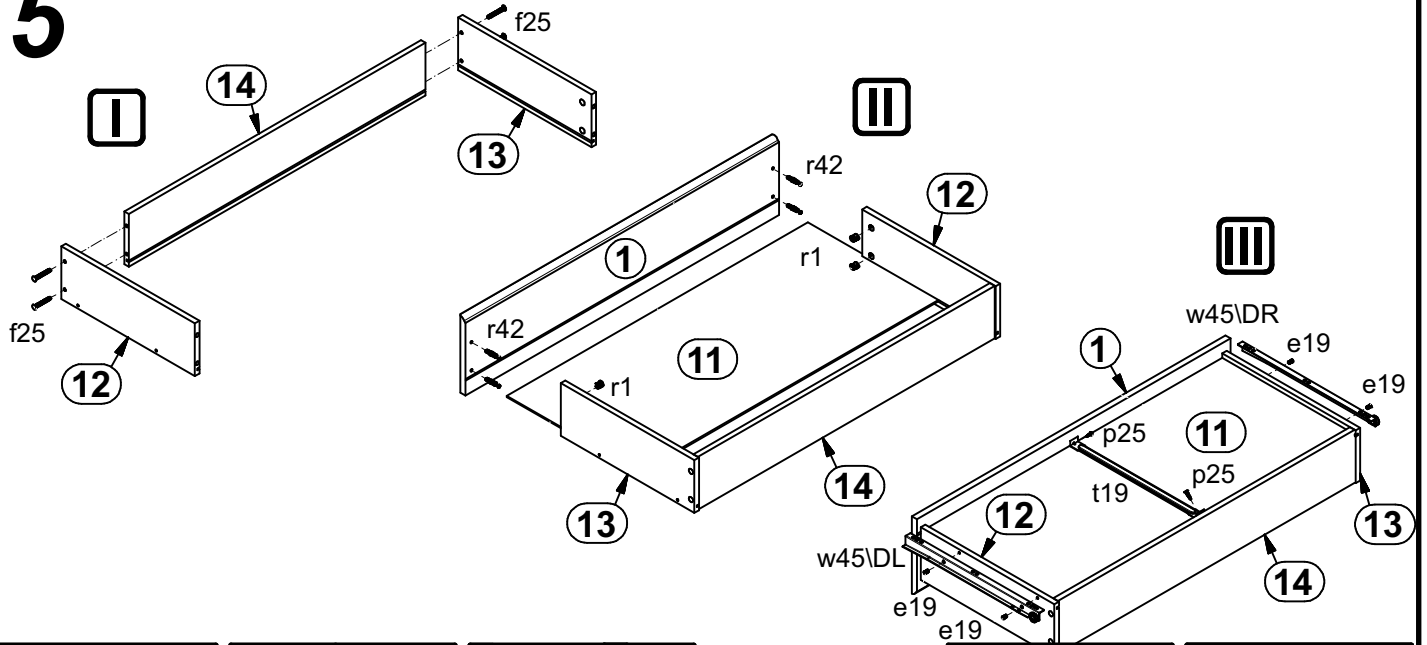
# 3



# 4



# 5



# 6

