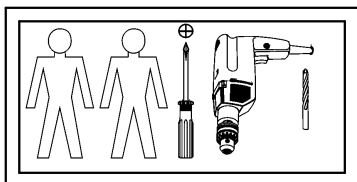
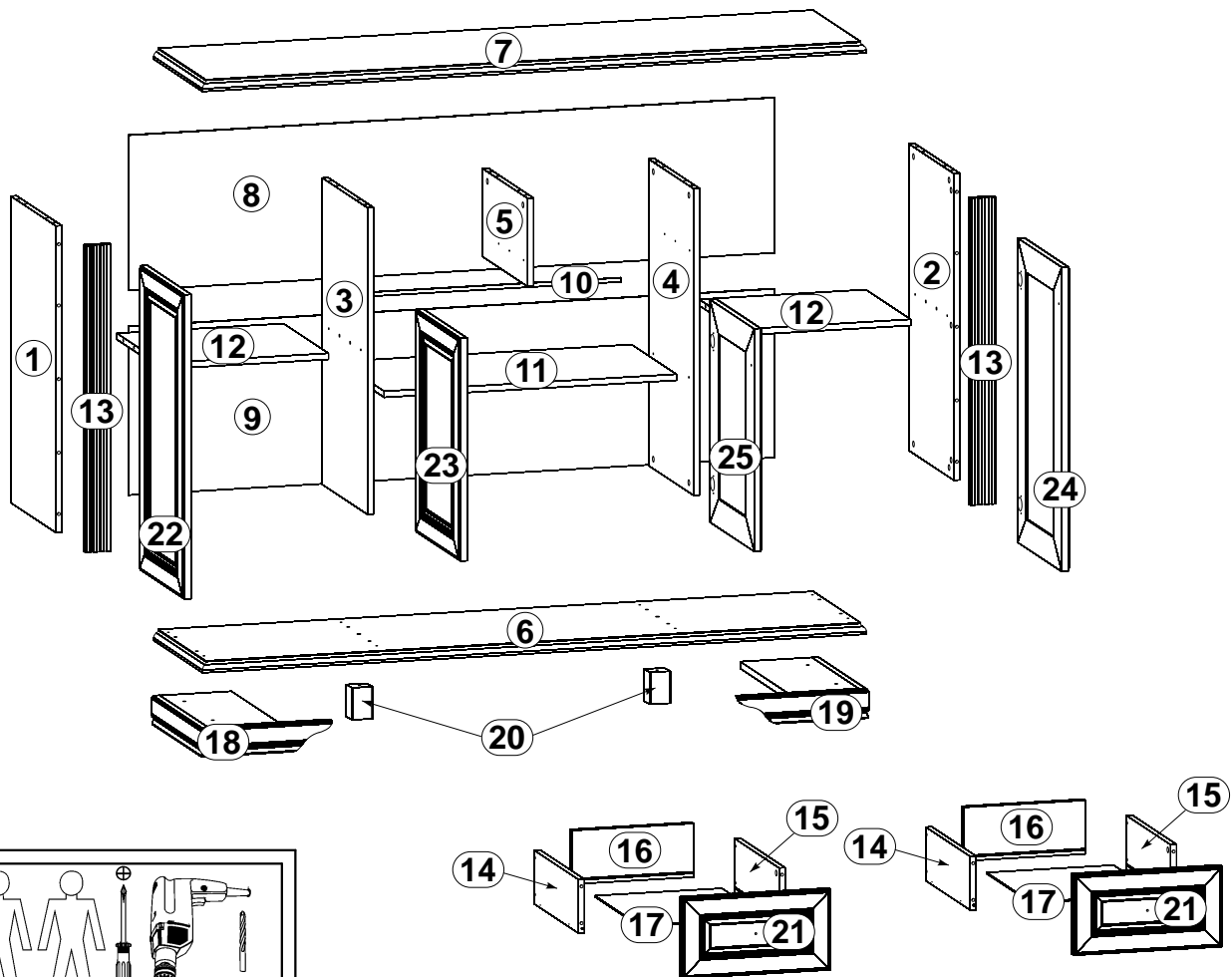
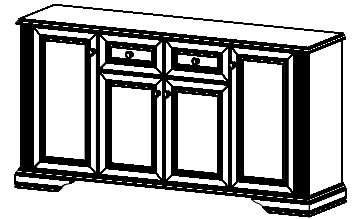
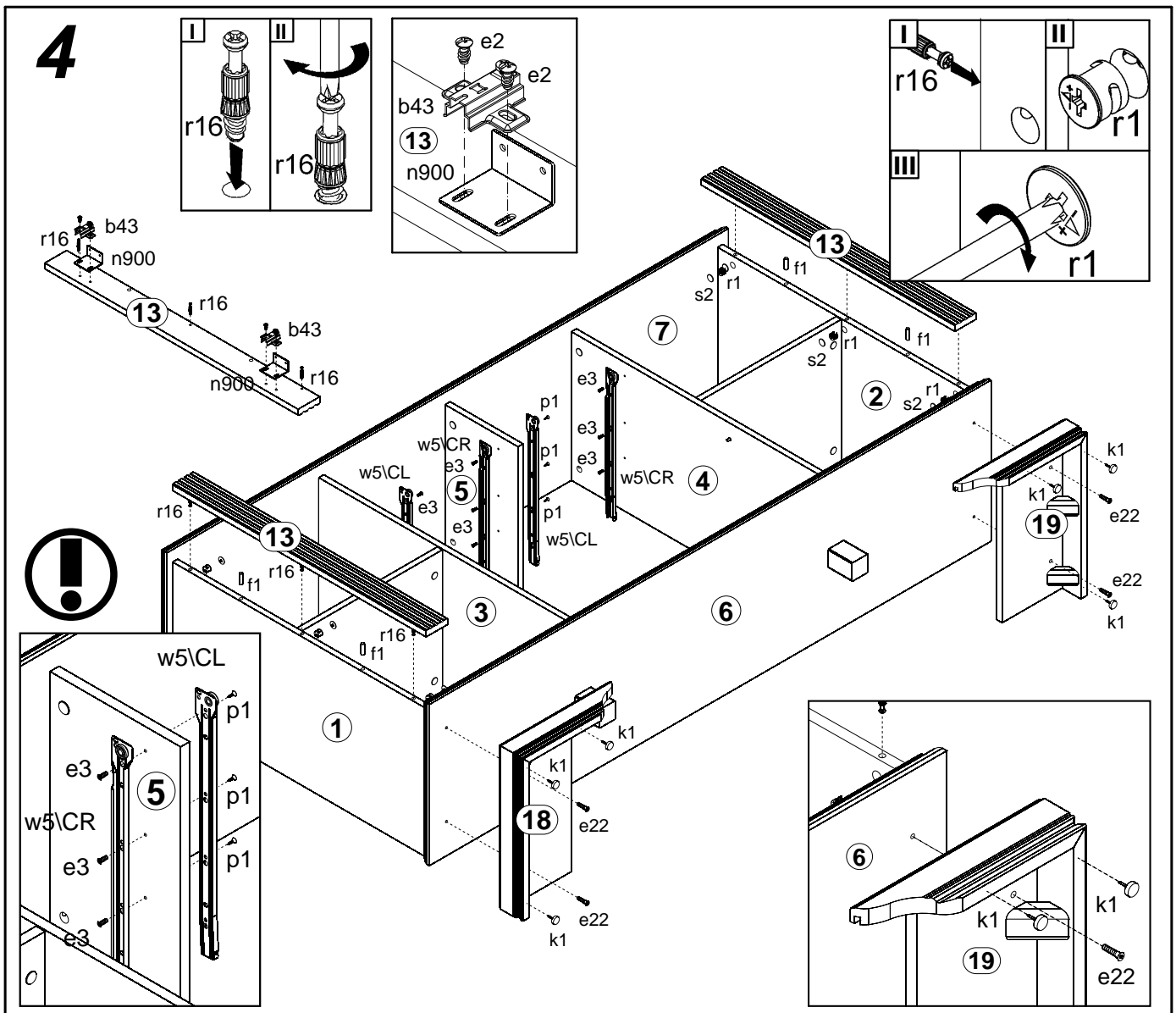
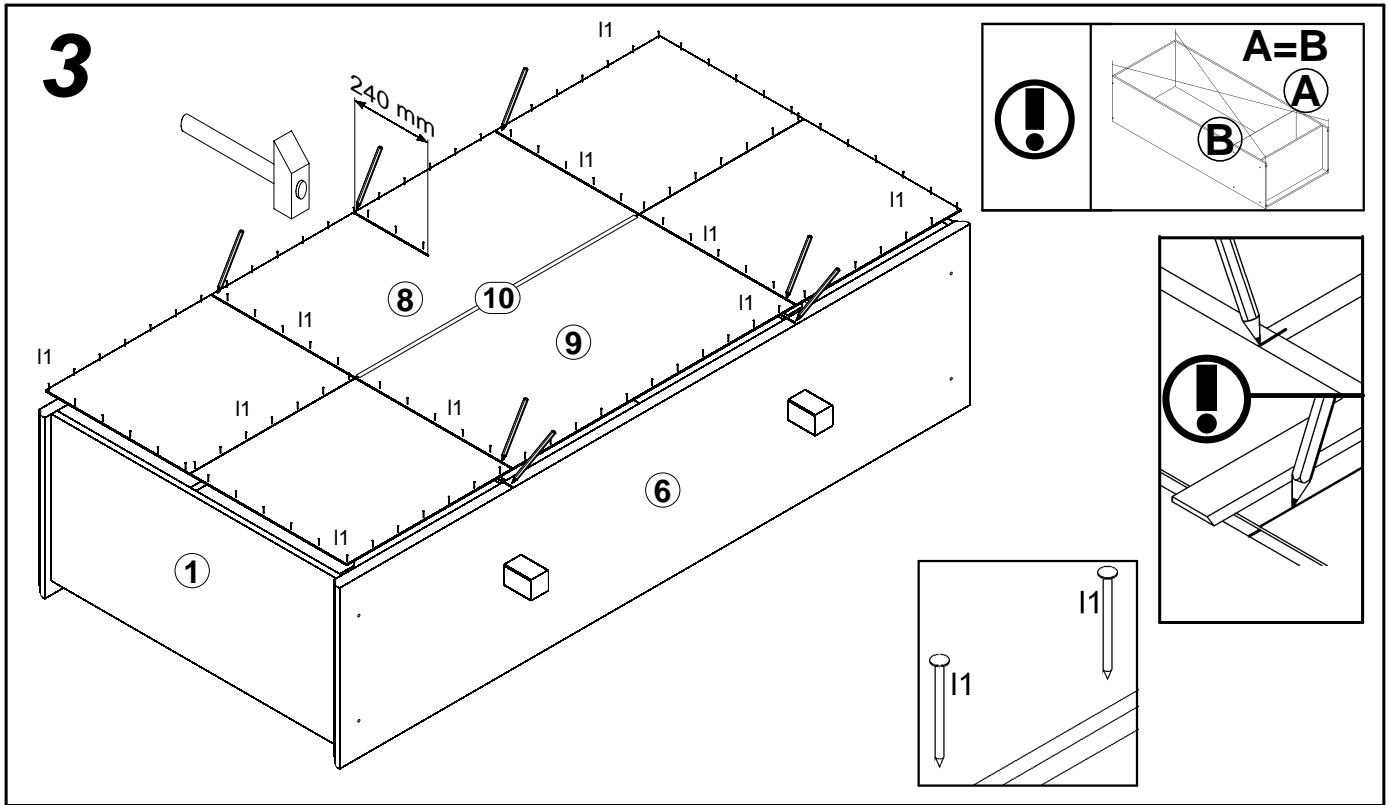


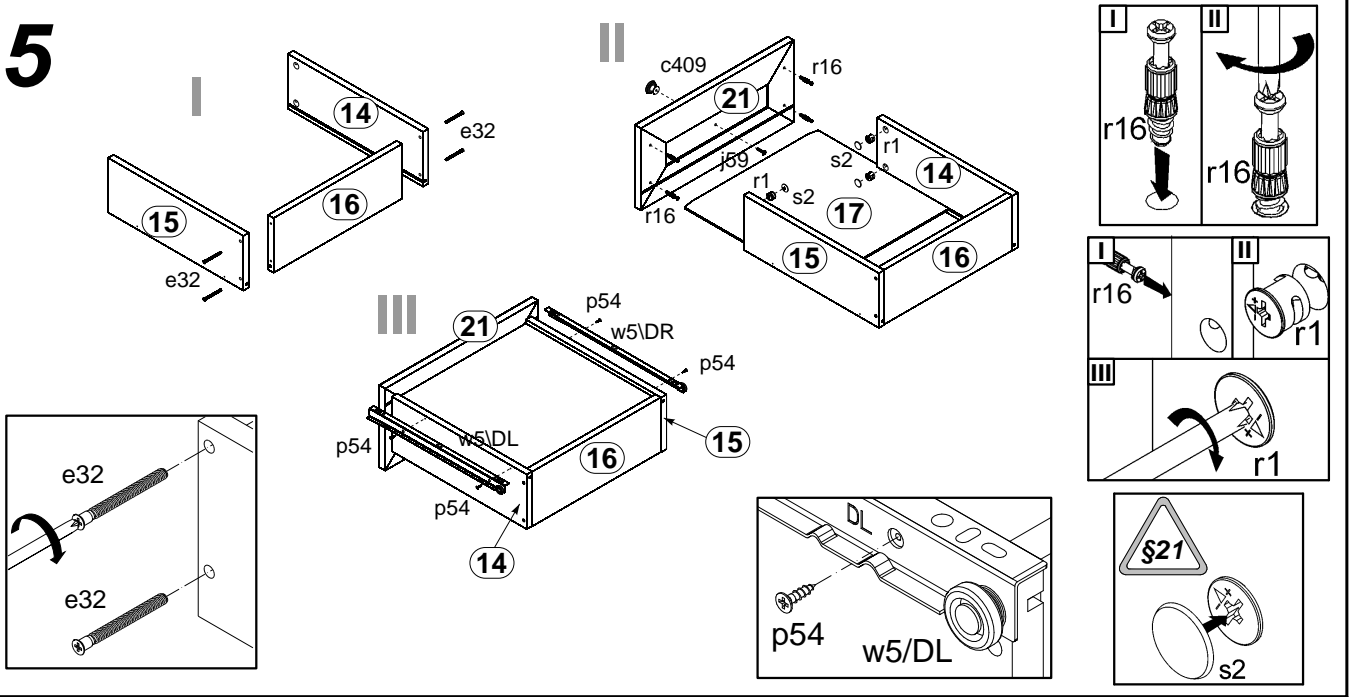
| A | B | C | D | A | B | C | D | | |
|----|------------|------|-----|-----|----|------------|-----|-----|-----|
| 1 | NT1-118 | 800 | 406 | 2/4 | 14 | NT1-551-01 | 400 | 140 | 2/4 |
| 2 | NT1-119 | 800 | 406 | 2/4 | 15 | NT1-552-01 | 400 | 140 | 2/4 |
| 3 | NT1-120-01 | 800 | 406 | 2/4 | 16 | NT1-532 | 324 | 140 | 2/4 |
| 4 | NT1-121-01 | 800 | 406 | 2/4 | 17 | NT1-923 | 399 | 339 | 2/4 |
| 5 | NT1-142-01 | 230 | 406 | 2/4 | 18 | NT1-579 | 446 | 350 | 3/4 |
| 6 | NT1-234 | 1772 | 440 | 1/4 | 19 | NT1-580 | 446 | 350 | 3/4 |
| 7 | NT1-235 | 1772 | 440 | 1/4 | 20 | NT1-590-01 | 80 | 80 | 3/4 |
| 8 | NT1-924 | 1725 | 405 | 1/4 | 21 | NT1-022 | 210 | 396 | 4/4 |
| 9 | NT1-925 | 1725 | 440 | 1/4 | 22 | NT1-024-01 | 794 | 396 | 4/4 |
| 10 | LH-779 | 779 | 14 | 1/4 | 23 | NT1-025-01 | 581 | 396 | 4/4 |
| 11 | NT1-320 | 780 | 404 | 2/4 | 24 | NT1-032 | 794 | 396 | 4/4 |
| 12 | NT1-321 | 445 | 404 | 2/4 | 25 | NT1-031 | 581 | 396 | 4/4 |
| 13 | NT1-515 | 800 | 68 | 2/4 | | | | | |



| | | | | | | | | |
|-------------------------|-------------------------|--------------------------|---------------------------|------------------------|----------------------------|-------------------------|-----------------------|-------------------------|
| 4x a68 | 4x a99 | 4x b43 | 4x b33 | 6x c409 | 4x φ5x17 mm d1 | 8x φ6,3x13 mm e2 | 9x φ6x13 mm e3 | 2x Ø7x60 mm e8 |
| 4x Ø7x28mm e22 | 8x φ5x50 mm e32 | 6x k1 | 90x l1 | 30x φ8x30 mm f1 | 4x M4x30 mm j6 | 2x M4x18 mm j59 | 1x n26' | 4x 42x22 mm n900 |
| 3x Ø3,5x13 mm p1 | 8x φ3,5x13 mm p5 | 1x φ3,5x16 mm p38 | 16x φ3,5x15 mm p51 | 8x φ3x12 mm p54 | 40x φ15x12mm #16 r1 | 40x 20/9 r16 | 33x ø16 s2 | 2x 400 mm w5\CL |
| 2x 400 mm w5\CR | 2x 400 mm w5\DL | 2x 400 mm w5\DR | 1x z1 | | | | | |



5



6

§18

