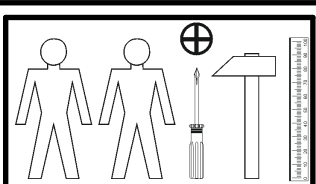
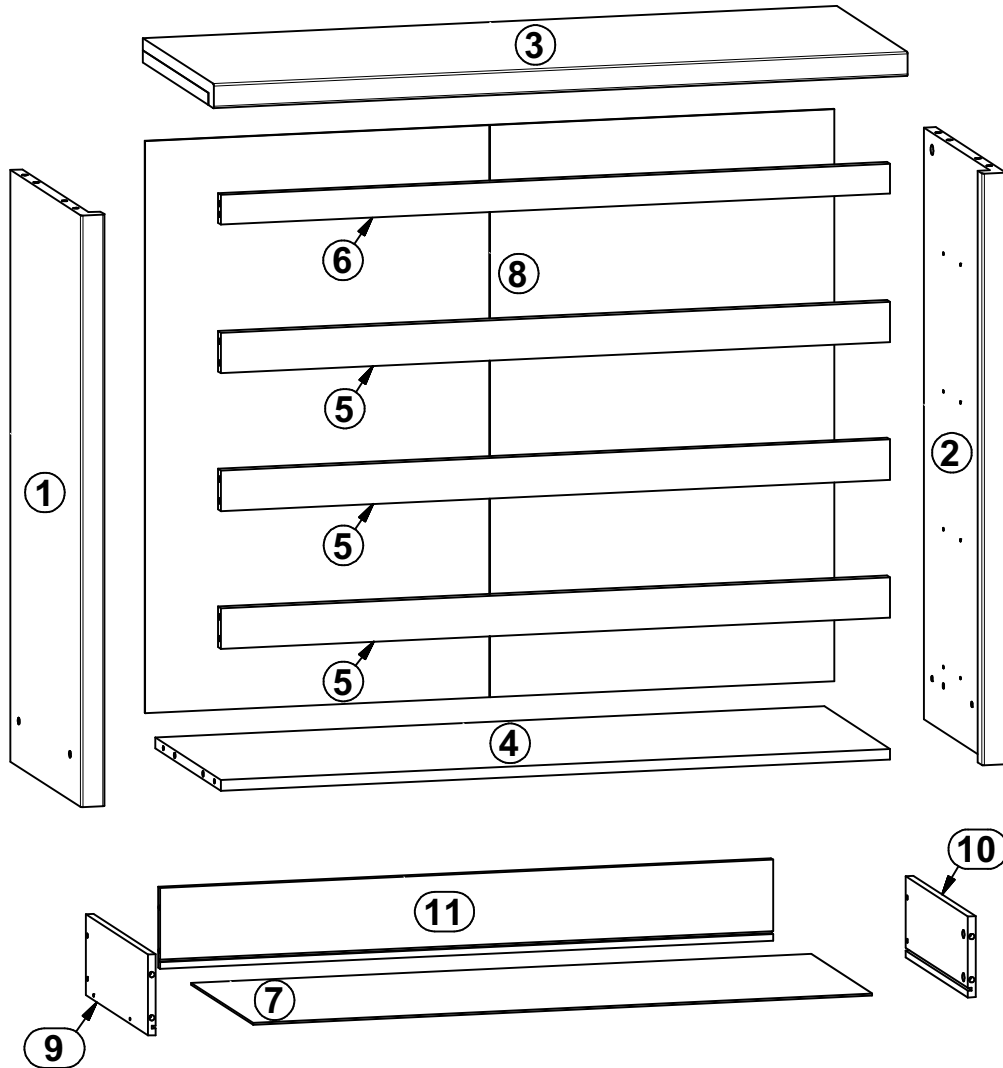
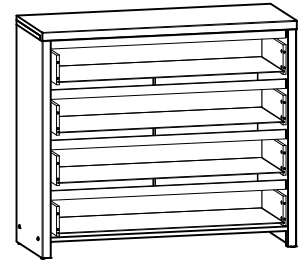


# KRISTINA

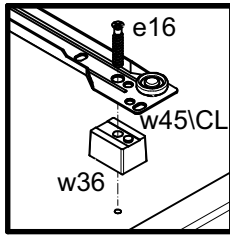
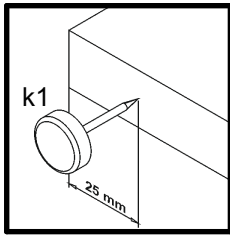
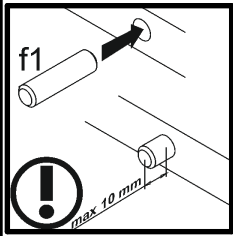
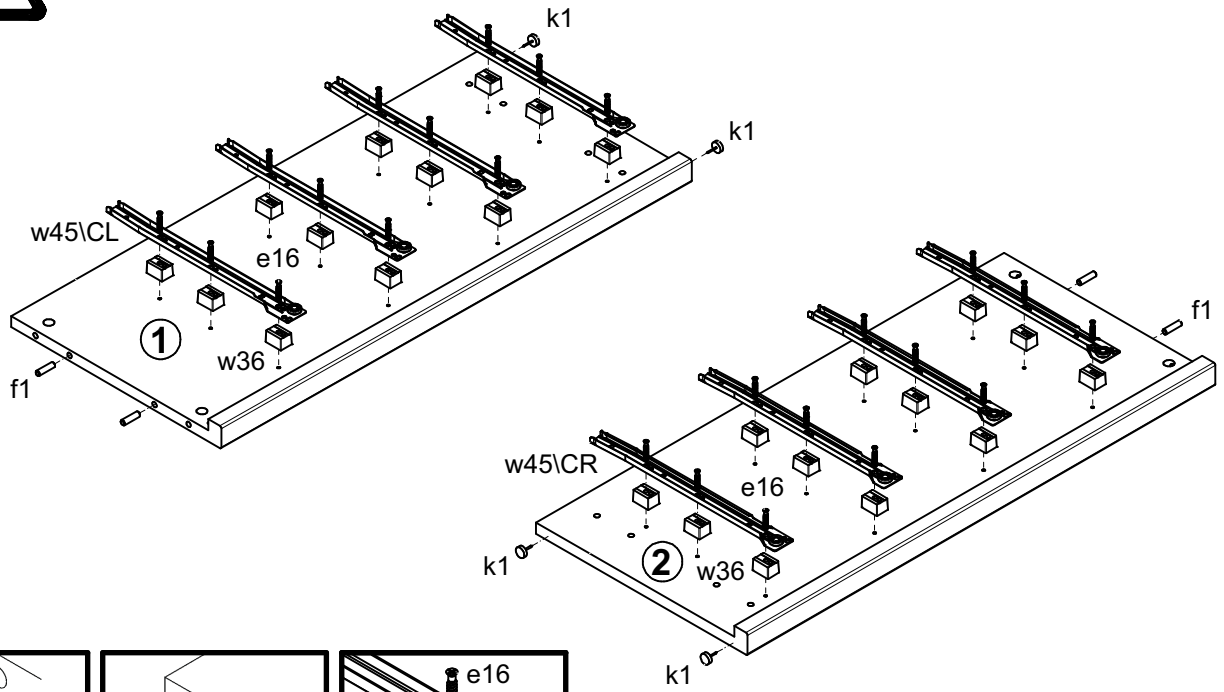
# KOM4S

| A  | B         | C    | D    |     |
|----|-----------|------|------|-----|
| 1  | S128-101  | 876  | 396  | 1/2 |
| 2  | S128-102  | 876  | 396  | 1/2 |
| 3  | S128-201  | 1046 | 399  | 1/2 |
| 4  | S128-301  | 1009 | 370  | 1/2 |
| 5  | S128-402  | 1009 | 60   | 1/2 |
| 6  | S128-403  | 1009 | 44   | 1/2 |
| 7  | S128-9906 | 926  | 348  | 1/2 |
| 8  | S128-907  | 847  | 1039 | 1/2 |
| 9  | BP-503    | 350  | 120  | 1/2 |
| 10 | BP-503    | 350  | 120  | 1/2 |
| 11 | ZP-5504   | 916  | 120  | 1/2 |

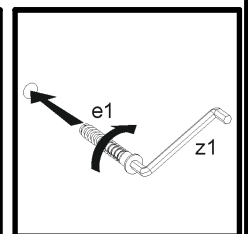
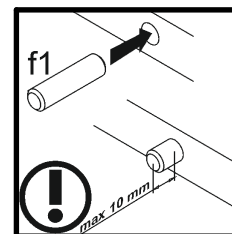
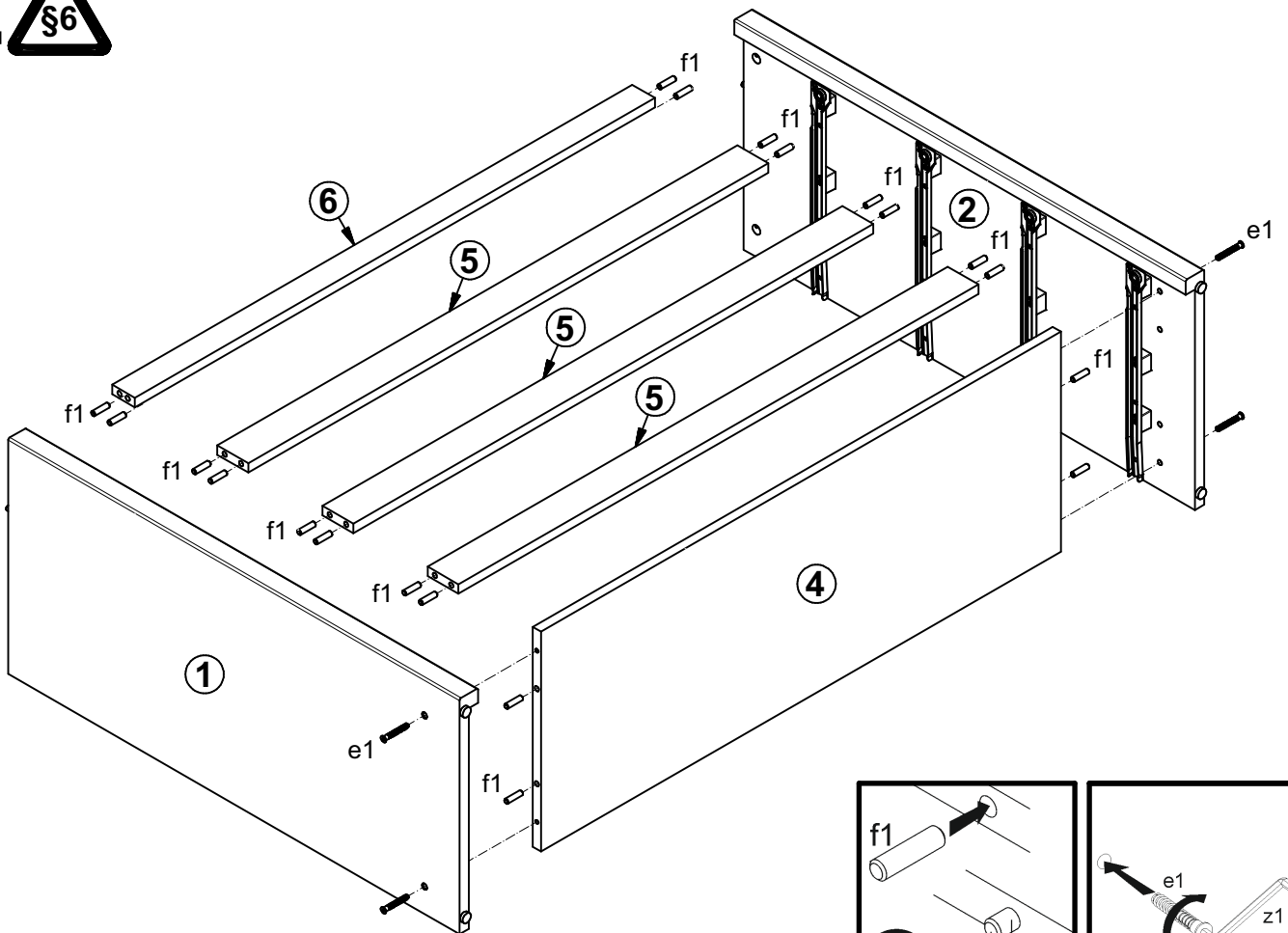


|                      |                         |                       |                       |                          |                        |                        |                         |                            |
|----------------------|-------------------------|-----------------------|-----------------------|--------------------------|------------------------|------------------------|-------------------------|----------------------------|
| 4x<br>φ7x50 mm<br>e1 | 24x<br>φ6x30 mm<br>e16  | 16x<br>φ5x9 mm<br>e19 | 24x<br>φ8x30 mm<br>f1 | 16x<br>φ6.5x40 mm<br>f25 | 4x<br>k1               | 40x<br>l1              | 8x<br>φ3.5x16 mm<br>p25 | 20x<br>φ1.5x12mm #16<br>r1 |
| 20x<br>r42           | 4x<br>s1                | 4x<br>333 mm<br>t19   | 24x<br>h=18 mm<br>w36 | 4x<br>350 mm<br>w45\CL   | 4x<br>350 mm<br>w45\CR | 4x<br>350 mm<br>w45\DL | 4x<br>350 mm<br>w45\DR  |                            |
| 1x<br>n26\1          | 1x<br>φ3.5x16 mm<br>p38 | 1x<br>z1              |                       |                          |                        |                        |                         |                            |

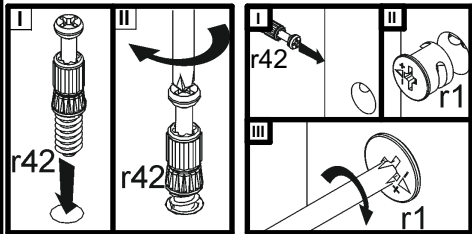
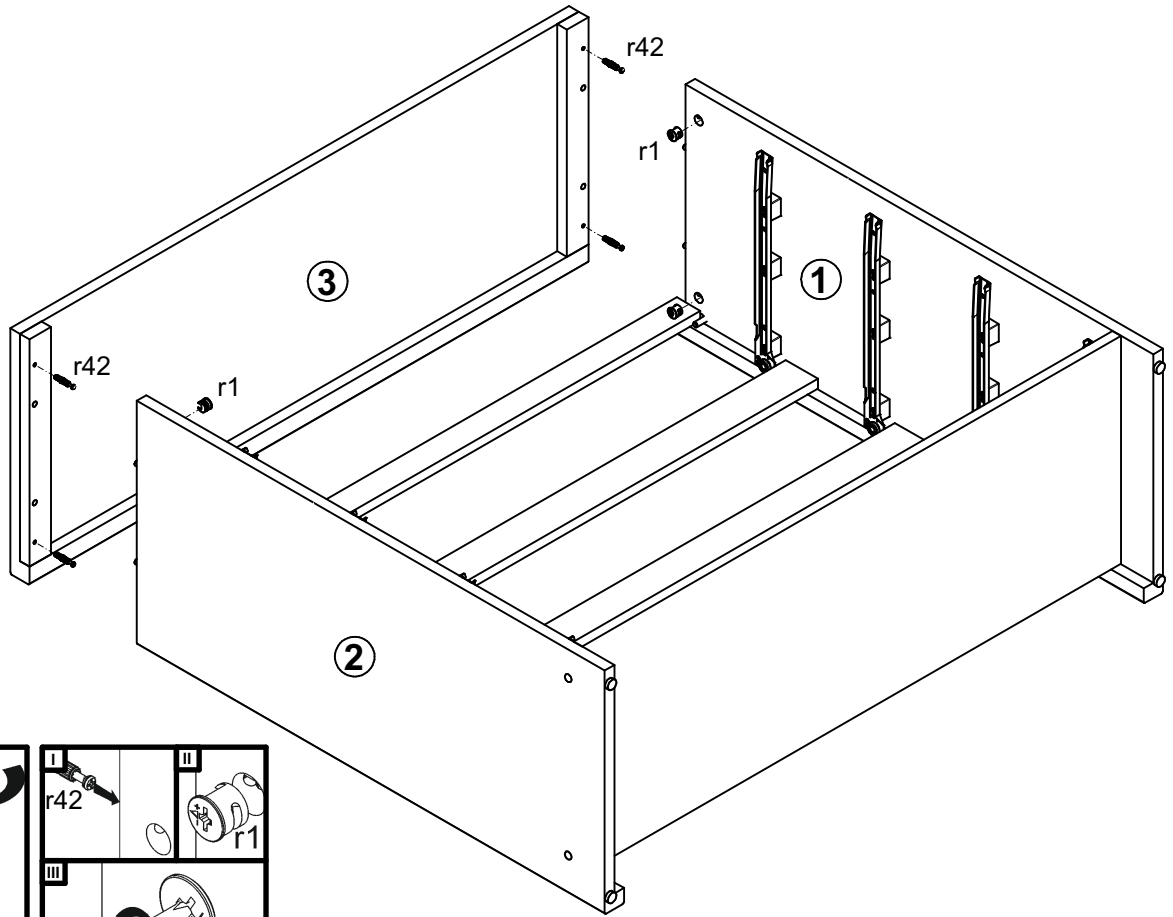
# 1



# 2



# 3



# 4

