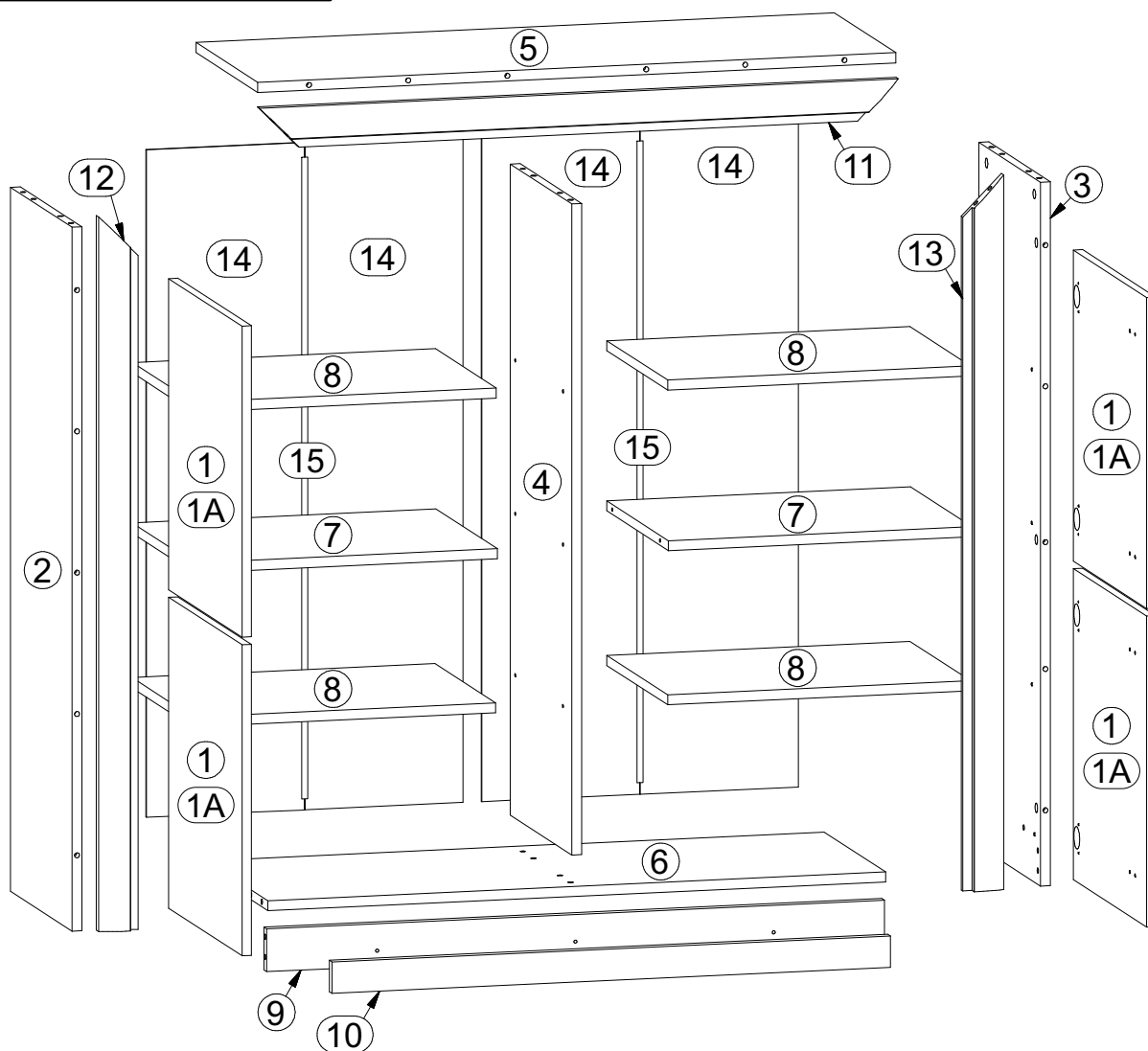
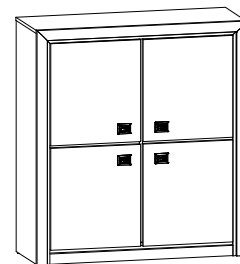
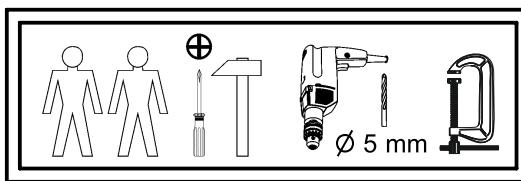


# КОЕН II

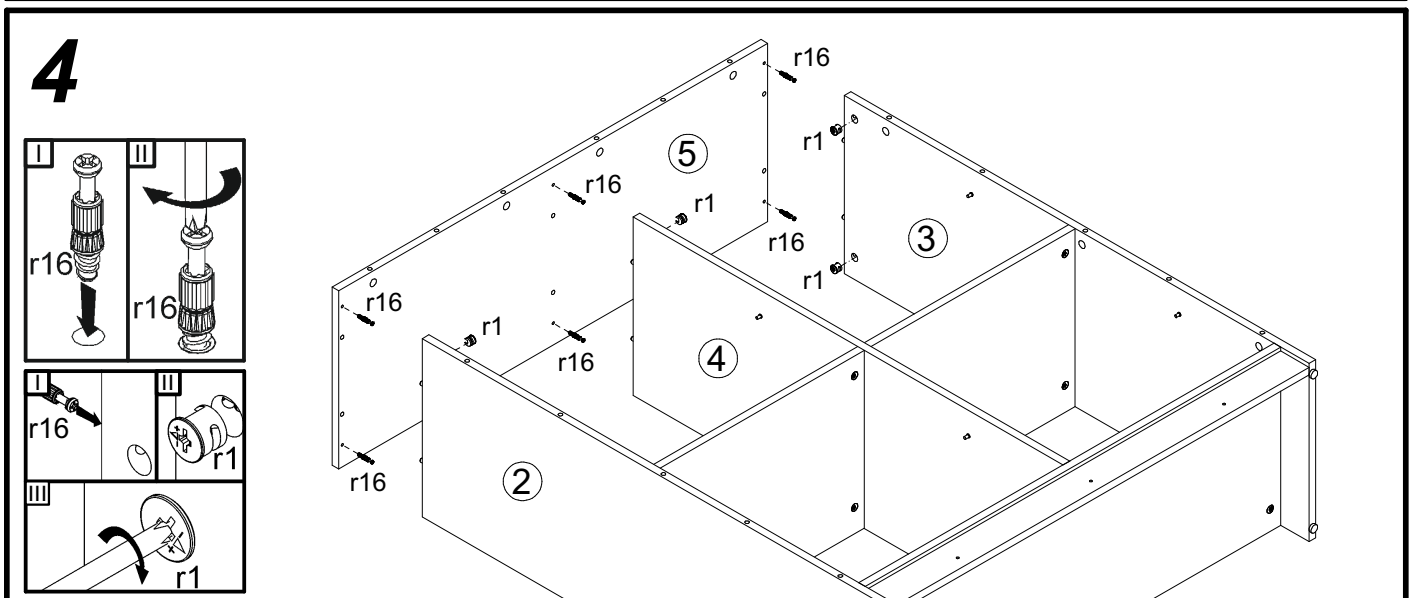
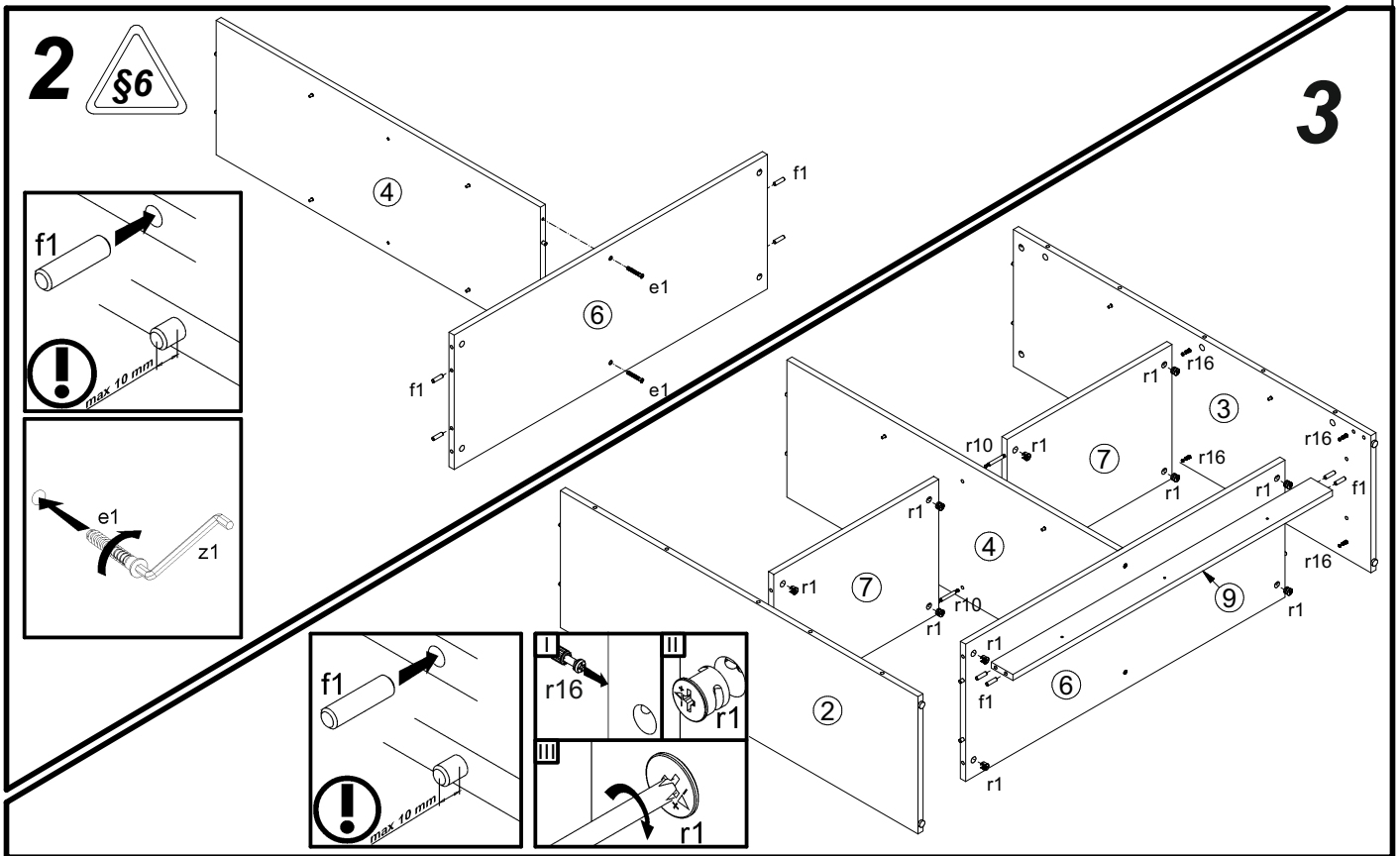
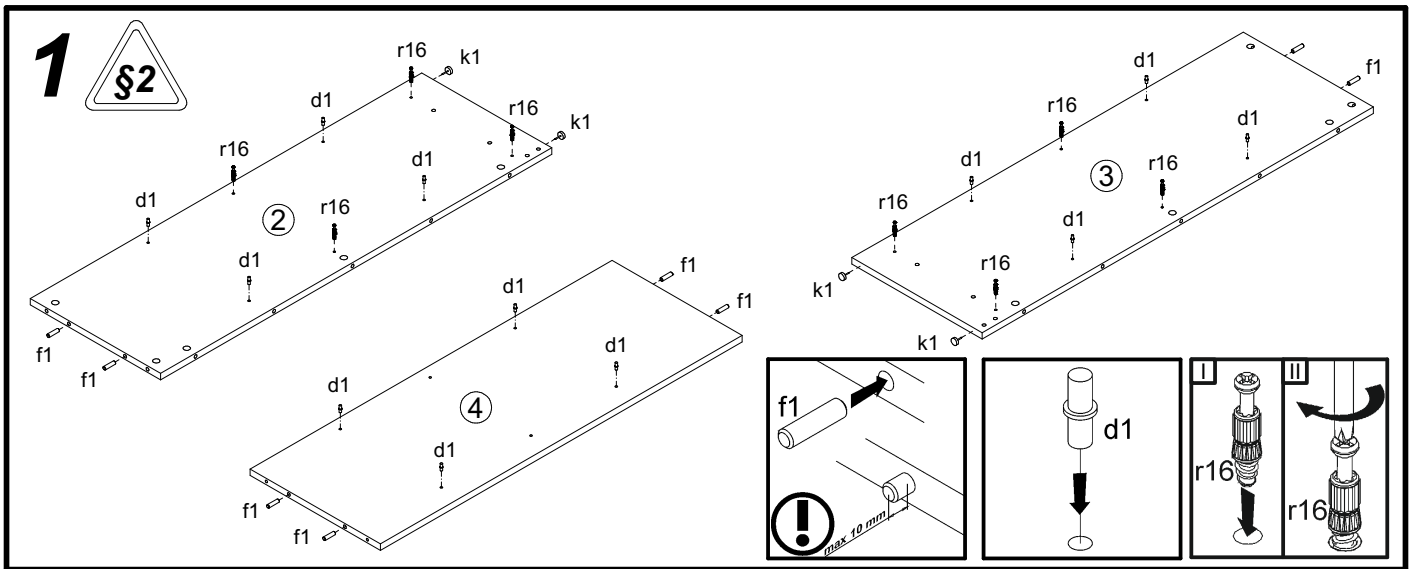
# КОМ4D

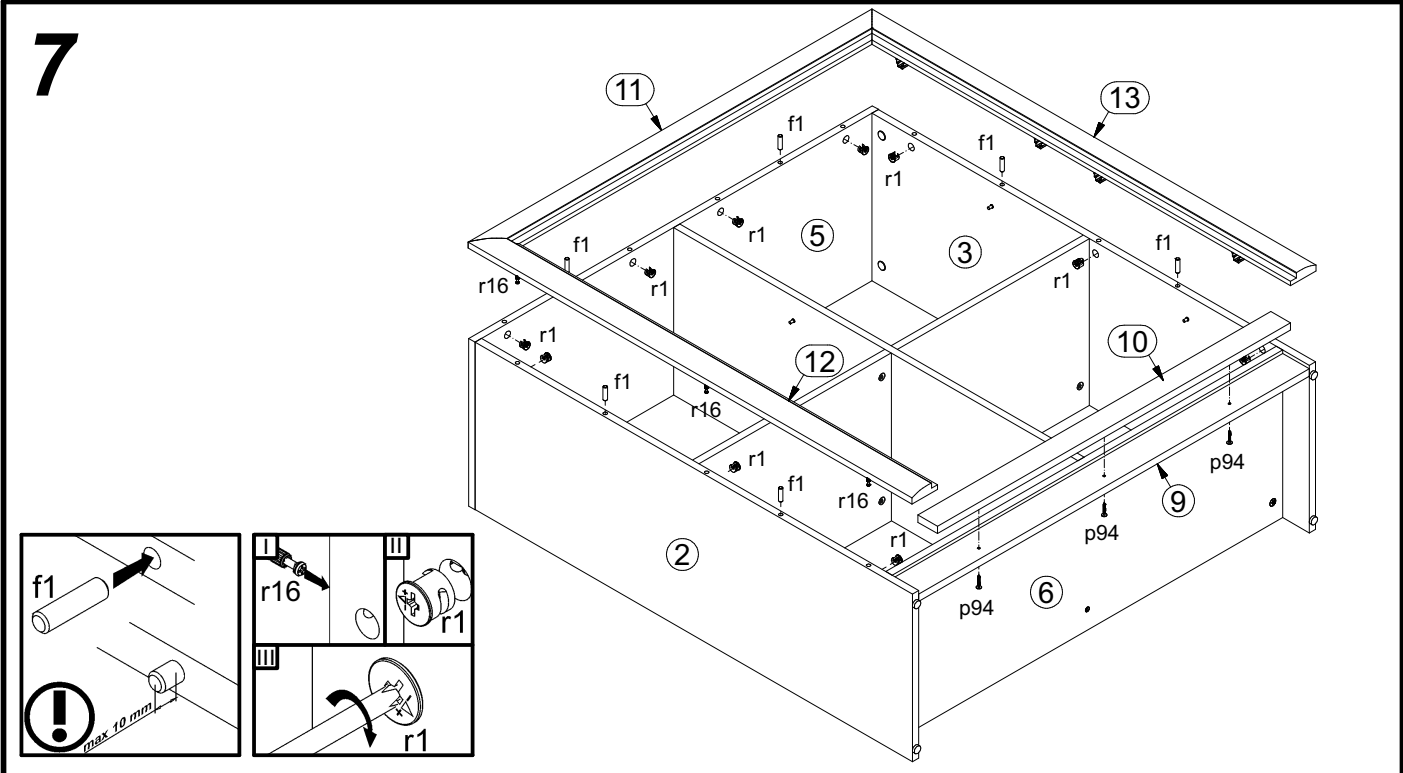
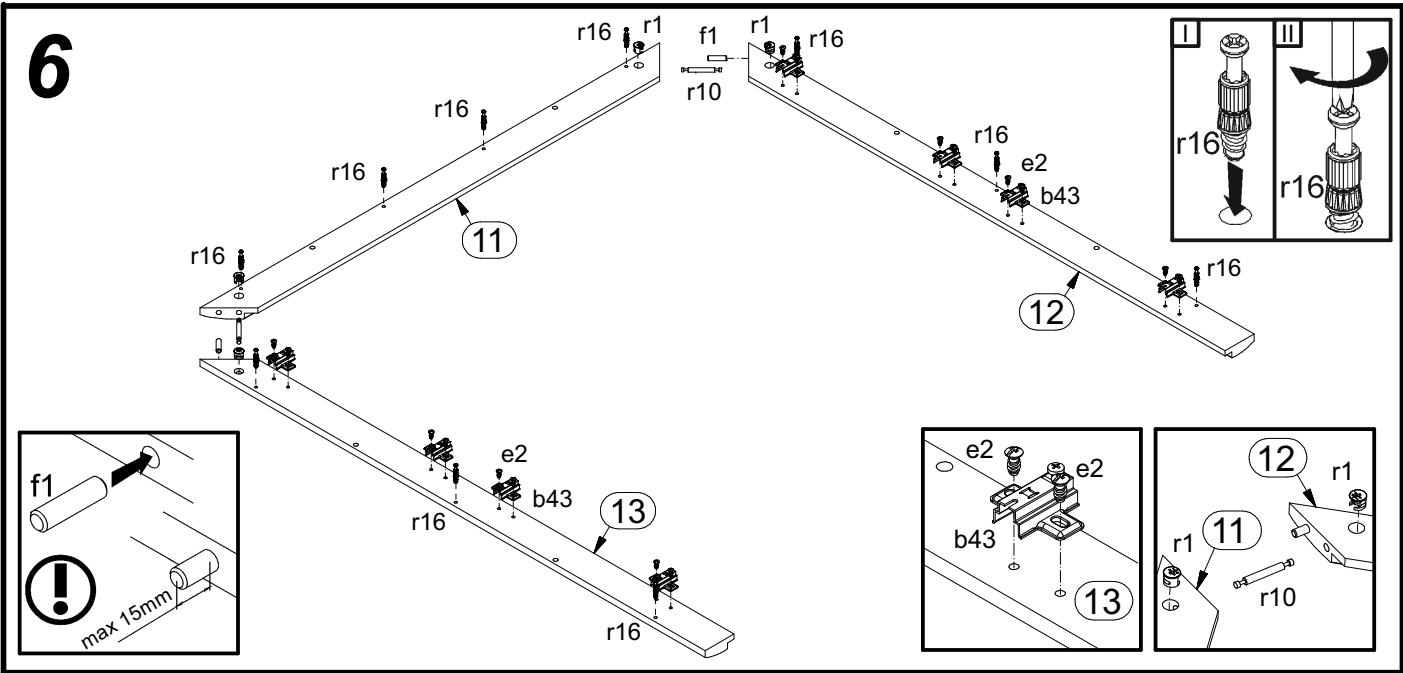
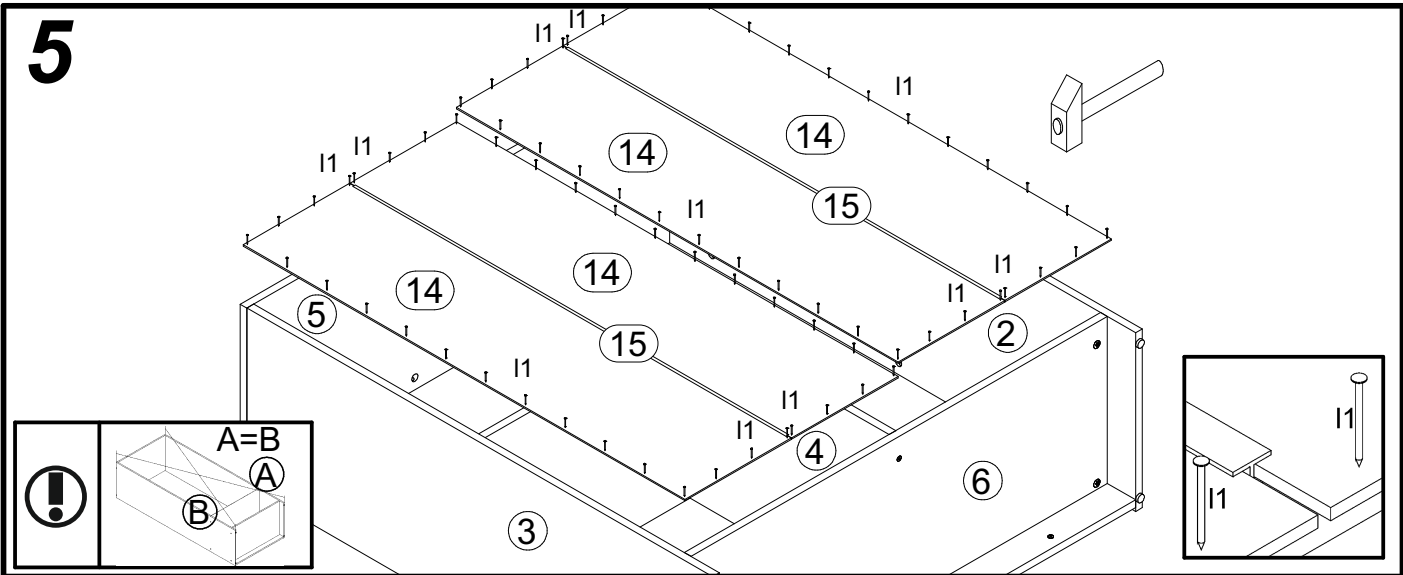
| A  | B          | C    | D   |     |
|----|------------|------|-----|-----|
| 1  | S136-0010  | 493  | 442 | 3/3 |
| 1A | S136-0010A | 493  | 442 | 3/3 |
| 2  | S136-140   | 1116 | 371 | 1/3 |
| 3  | S136-141   | 1116 | 371 | 1/3 |
| 4  | S136-142   | 1032 | 371 | 1/3 |
| 5  | S136-210   | 1030 | 371 | 1/3 |
| 6  | S136-311   | 997  | 371 | 1/3 |
| 7  | S136-313   | 490  | 371 | 1/3 |
| 8  | S136-314   | 489  | 366 | 1/3 |
| 9  | S136-401   | 997  | 68  | 1/3 |
| 10 | S136-403   | 901  | 50  | 1/3 |
| 11 | S136-573   | 1031 | 65  | 2/3 |
| 12 | S136-589   | 1133 | 65  | 2/3 |
| 13 | S136-590   | 1133 | 65  | 2/3 |
| 14 | S136-918   | 1058 | 255 | 1/3 |
| 15 | Lh-1031    | 1031 | 14  | 1/3 |

→ Фасад ДСП  
→ Фасад МДФ



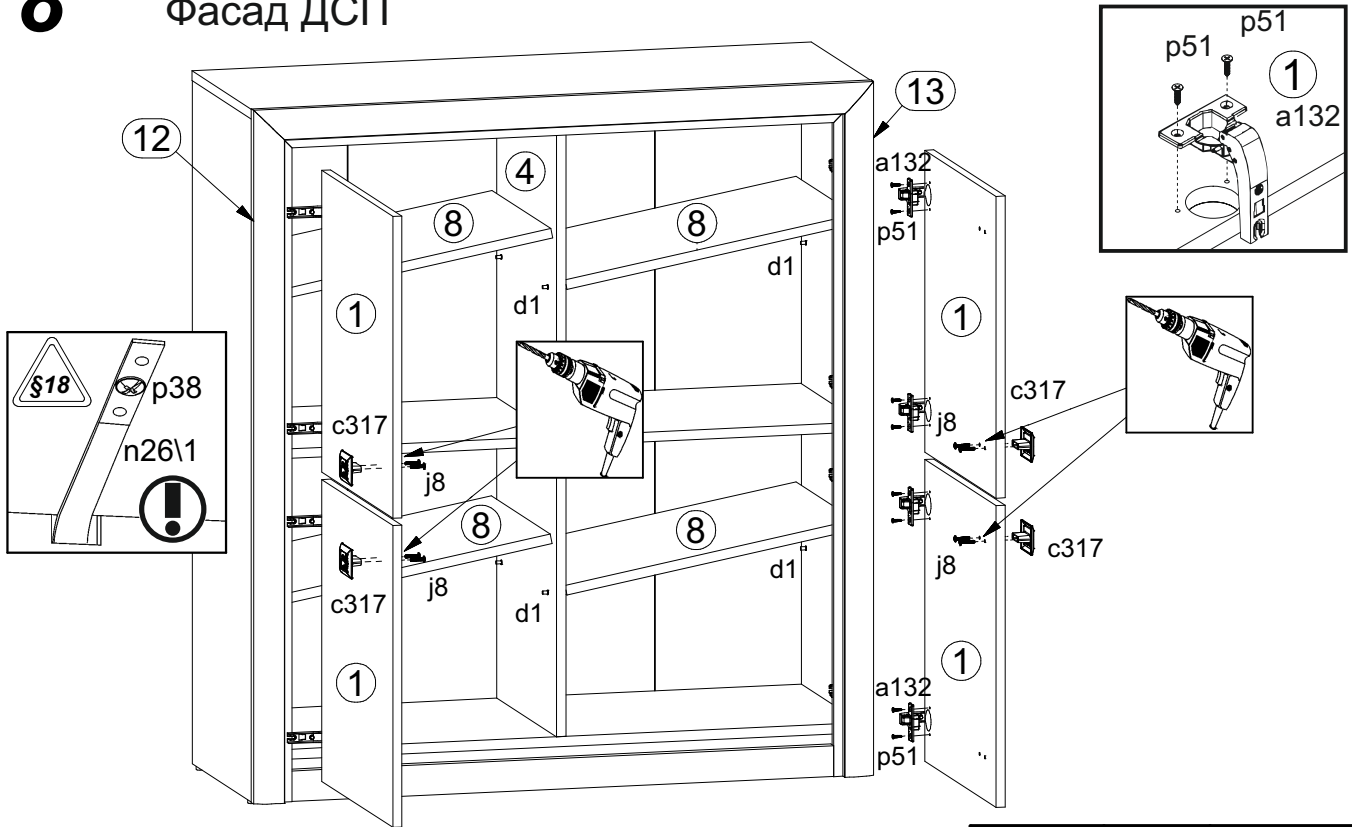
|            |                                    |                                 |                                       |                                |                                   |                                 |                  |                                   |              |
|------------|------------------------------------|---------------------------------|---------------------------------------|--------------------------------|-----------------------------------|---------------------------------|------------------|-----------------------------------|--------------|
| 8x<br>a132 | 8x<br>b43                          | 4x<br>c317                      | 16x<br>$\phi 5 \times 17$ mm d1       | 2x<br>$\phi 7 \times 50$ mm e1 | 16x<br>$\phi 6,3 \times 13$ mm e2 | 24x<br>$\phi 8 \times 30$ mm f1 | 8x<br>M4x25mm j8 | 4x<br>k1                          |              |
| 75x<br>l1  | 16x<br>$\phi 3,5 \times 15$ mm p51 | 3x<br>$\phi 4 \times 28$ mm p94 | 32x<br>$\phi 1,5 \times 12$ mm #16 r1 | 4x<br>r10                      | 24x<br>20/9 r16                   | 6x<br>$\phi 16$ s2              | 1x<br>n26\1      | 1x<br>$\phi 3,5 \times 16$ mm p38 |              |
| 1x<br>z1   |                                    |                                 |                                       |                                |                                   |                                 |                  | 8x<br>a63<br>h=3mm                | Для фас. МДФ |





# 8

## Фасад ДСП



## Фасад МДФ

