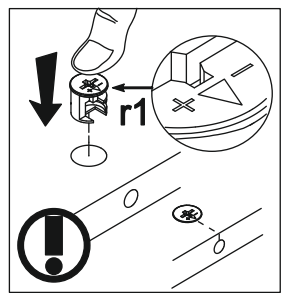
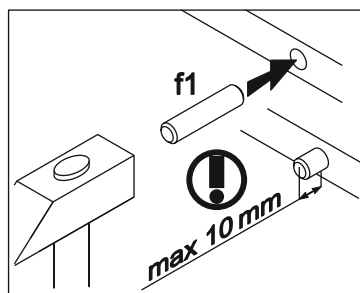
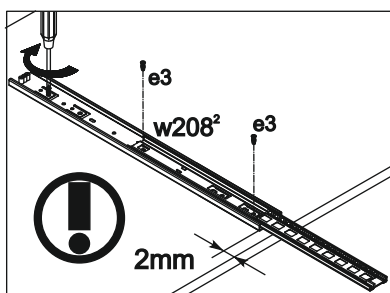
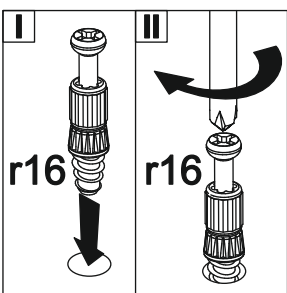
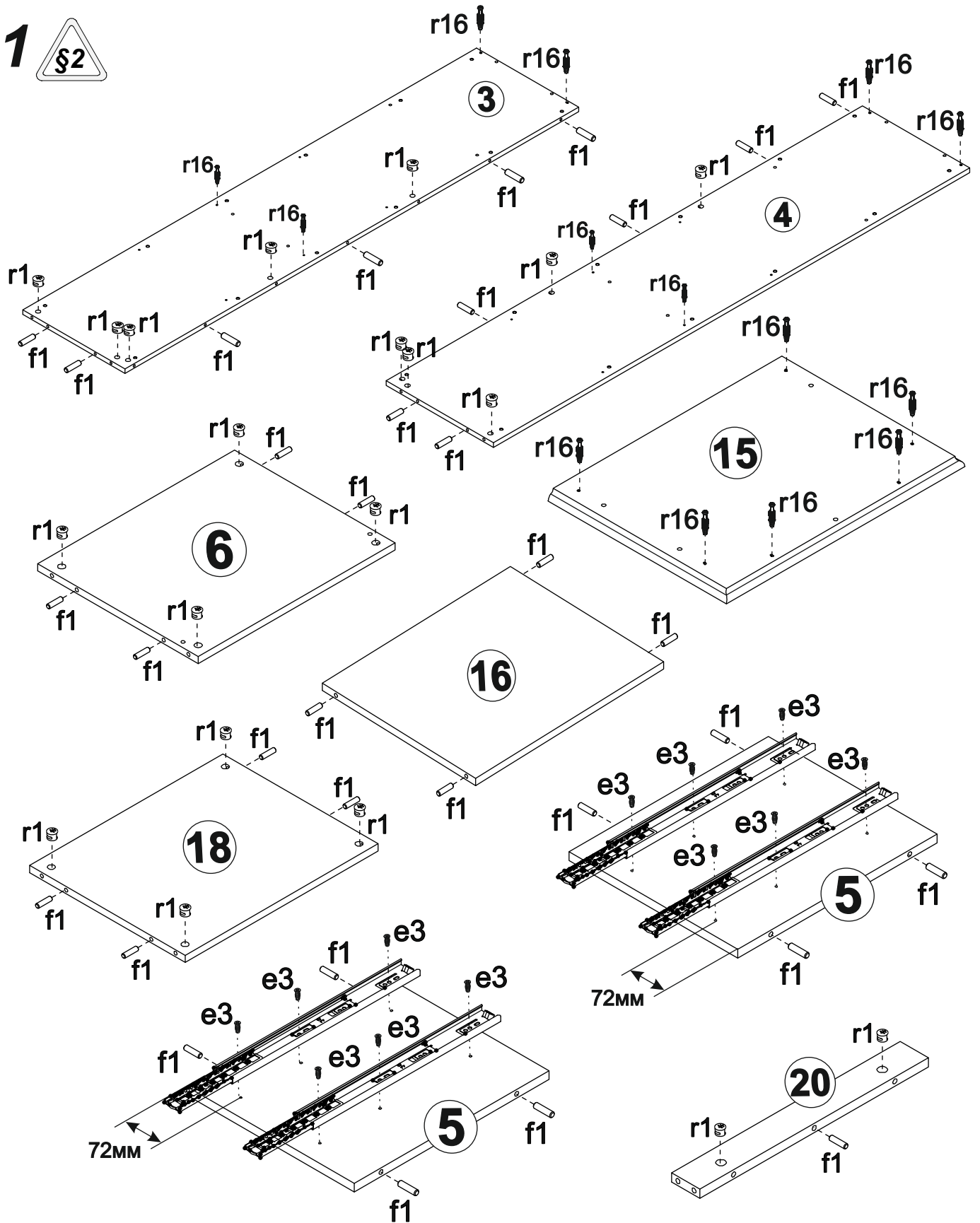


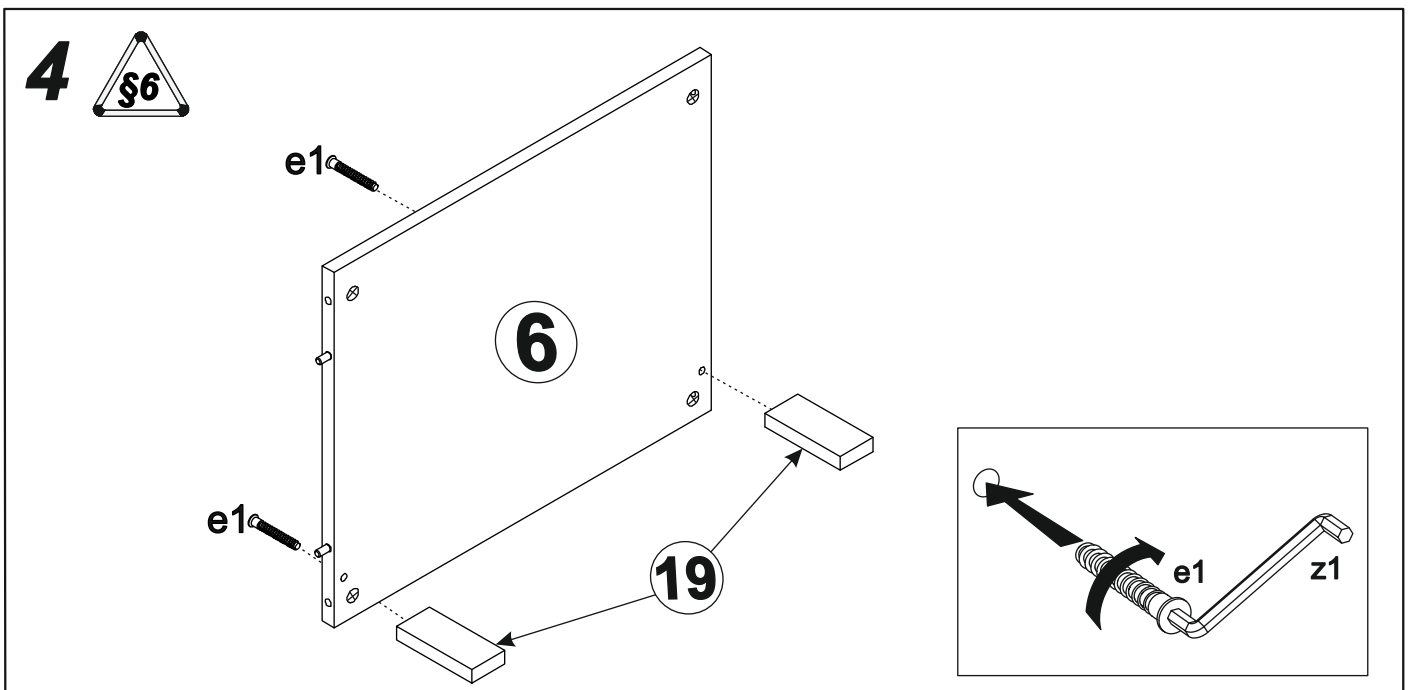
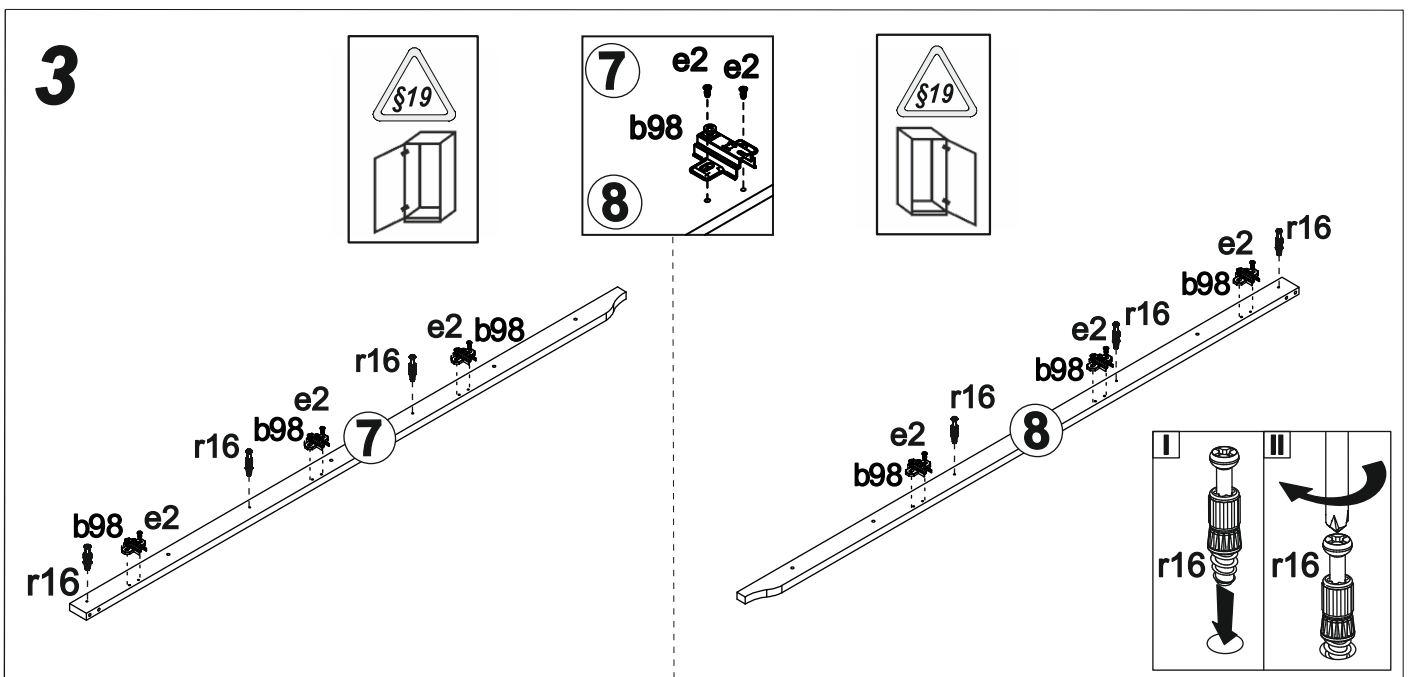
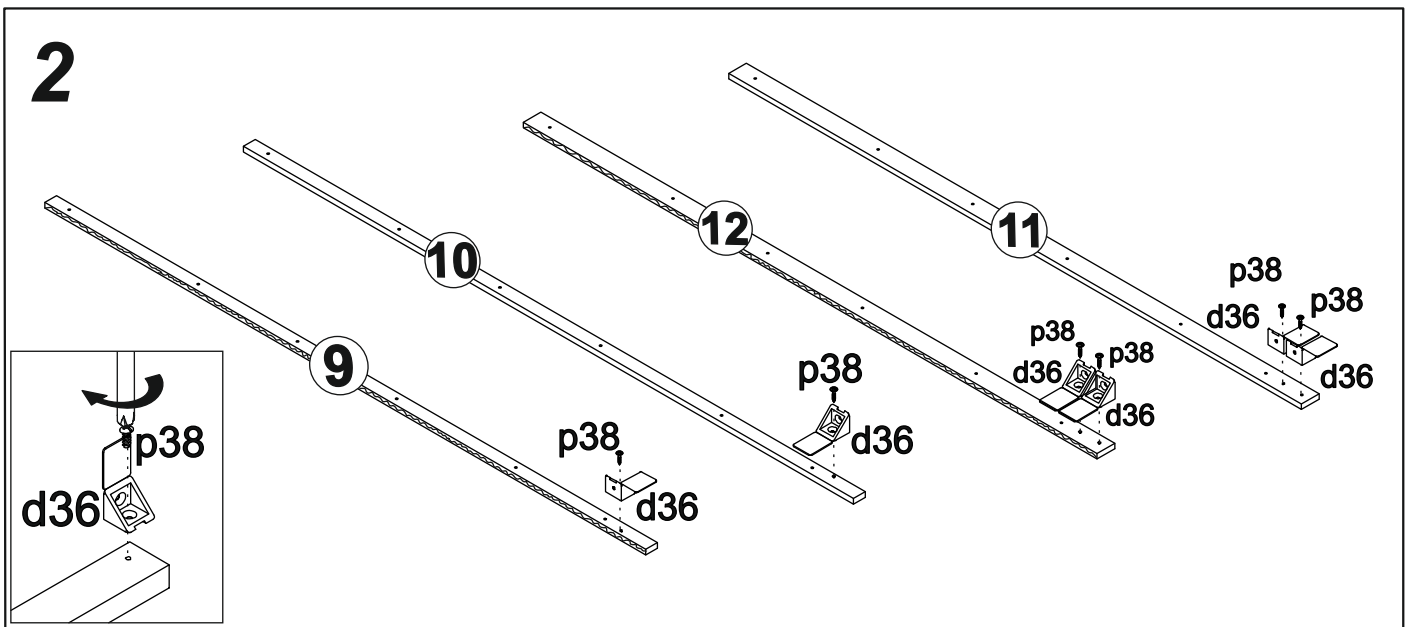
| A | B | C | D |
|----|-----------|------|---------|
| 1 | GF1- 008 | 447 | 210 1/3 |
| 2 | GF1- 009 | 447 | 200 1/3 |
| 3 | GF1- 109 | 1837 | 414 1/3 |
| 4 | GF1- 110 | 1837 | 414 1/3 |
| 5 | GF1- 111 | 350 | 414 1/3 |
| 6 | GF1- 306 | 508 | 414 1/3 |
| 7 | GF1- 5018 | 1938 | 60 1/3 |
| 8 | GF1- 5019 | 1938 | 60 1/3 |
| 9 | GF1- 5020 | 1938 | 38 1/3 |
| 10 | GF1- 5021 | 1938 | 38 1/3 |
| 11 | GF1- 5022 | 1938 | 60 1/3 |
| 12 | GF1- 5023 | 1938 | 60 1/3 |
| 13 | GF1-907 | 1854 | 283 1/3 |
| 14 | LH - 1820 | 1820 | 14 1/3 |
| 15 | GF1- 203 | 602 | 450 2/3 |

| A | B | C | D |
|----|----------|------|---------|
| 16 | GF1- 307 | 508 | 414 2/3 |
| 17 | GF1- 309 | 508 | 400 2/3 |
| 18 | GF1- 310 | 508 | 409 2/3 |
| 19 | GF1- 403 | 101 | 44 2/3 |
| 20 | GF1- 405 | 453 | 56 2/3 |
| 21 | GF1- 551 | 400 | 120 2/3 |
| 22 | GF1- 552 | 400 | 120 2/3 |
| 23 | GF1- 555 | 400 | 150 2/3 |
| 24 | GF1- 556 | 400 | 150 2/3 |
| 25 | GF1- 558 | 395 | 120 2/3 |
| 26 | GF1- 559 | 395 | 150 2/3 |
| 27 | GF1- 906 | 410 | 399 2/3 |
| 28 | GF1-011 | 1404 | 447 3/3 |

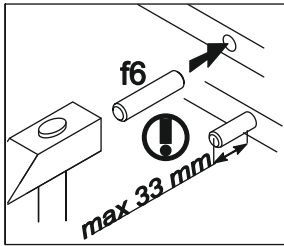
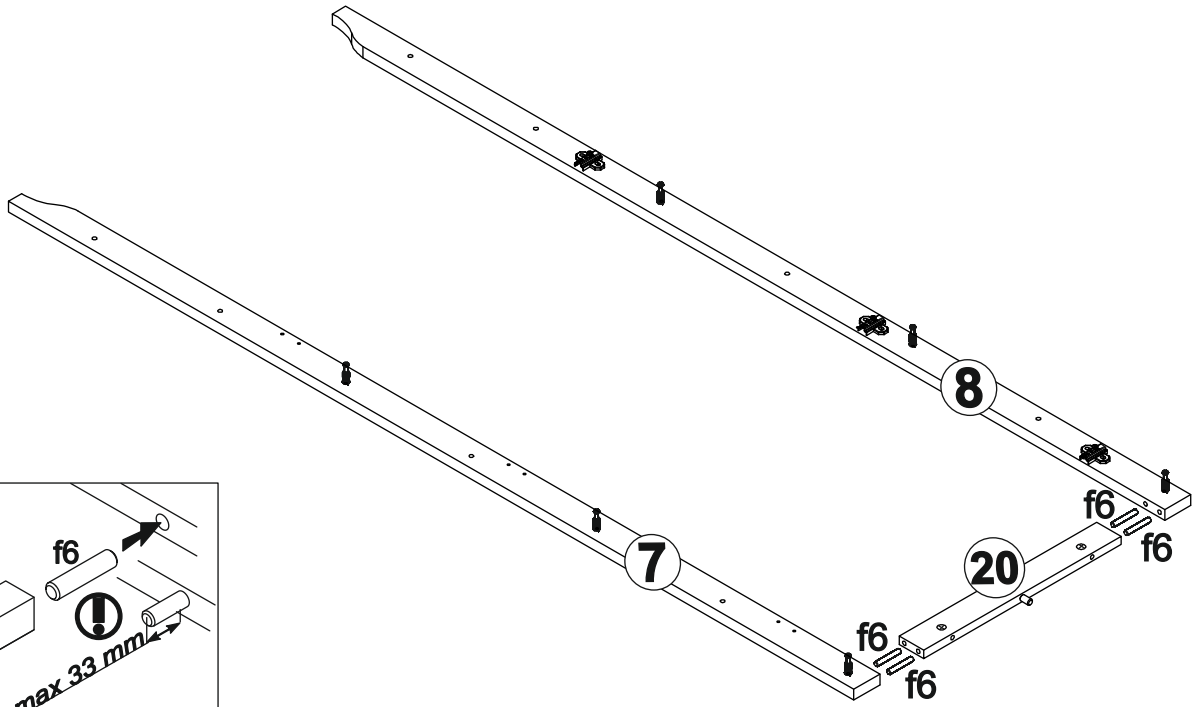
| | | | | | | | |
|---------------------------|--------------------|----------------------|---------------------|---------------------|-----------------------|--------------------|-----------|
| 28x φ15x12mm #16 r1 | 28x 20/9 r16 | 6x φ3,5x15 mm p51 | 22x φ16 s2 | 6x φ6,3x13 mm e2 | 2x φ7x50 mm e1 | 8x φ5x50 mm e32 | 16x s1 |
| 12x φ6x13 mm e3 | 33x φ8x30 mm f1 | 4x k1 | 6x d36 | 60x l1 | 13x φ3,5x16 mm p38 | 3x a98 | 3x b98 |
| 3x c415 | 3x M4x22 mm j30 | 4x φ8x50 mm f6 | 4x 400 w208/1 | 4x 400 w208/2 | 24x φ7x28 mm e22 | 8x φ5x17 mm d1 | 1x z1 |
| 12x φ3,5x12 mm p140 | 1x n26v1 | | | | | | 1x 1x |

1 §2

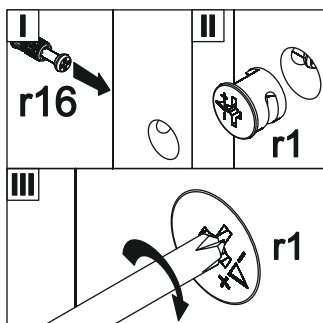
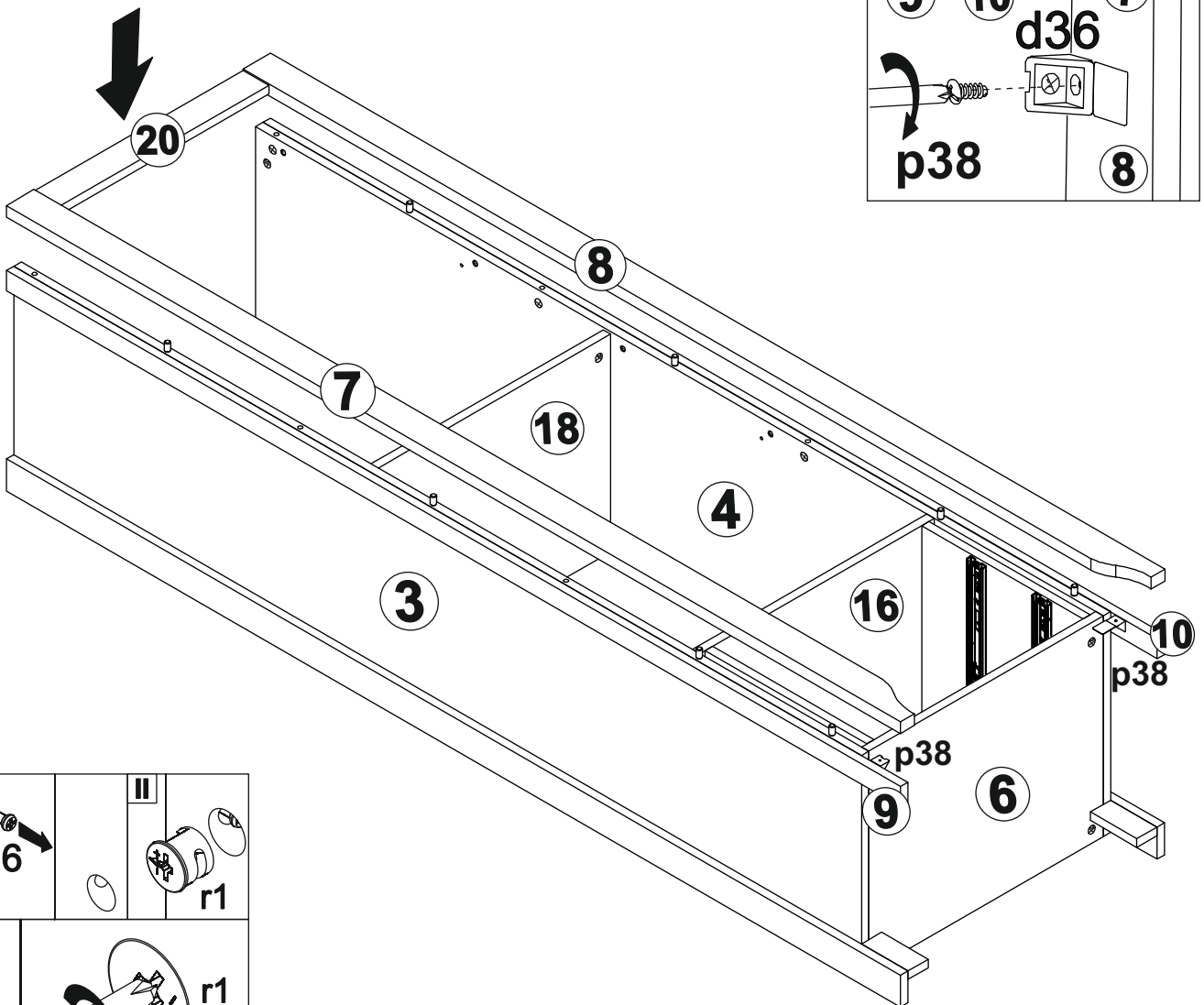




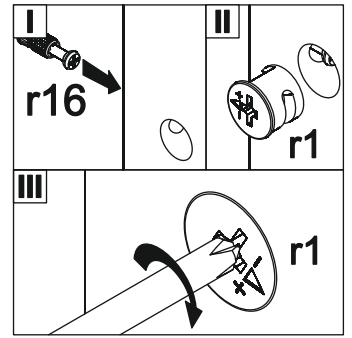
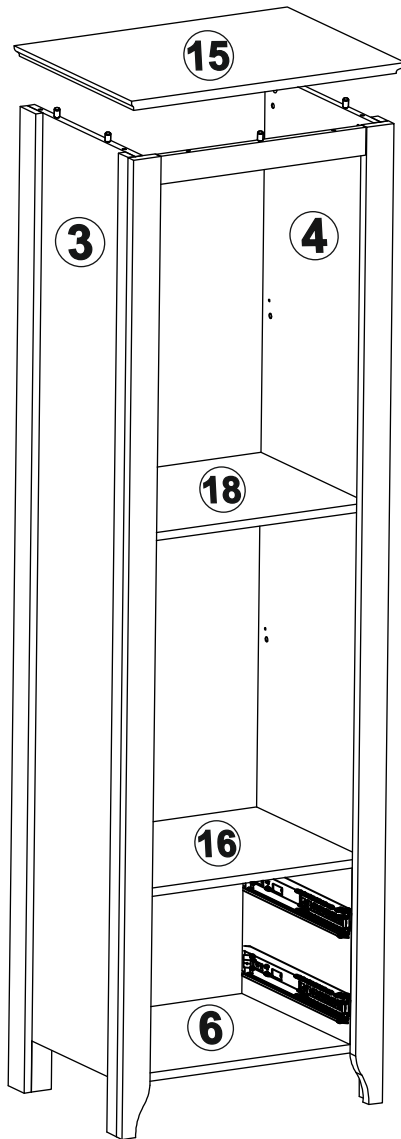
8



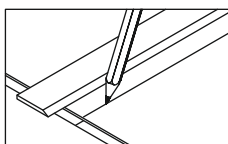
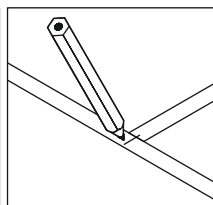
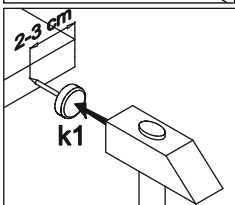
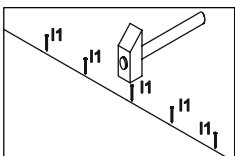
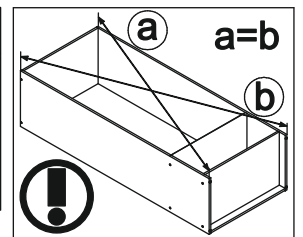
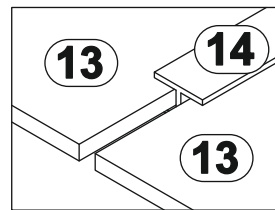
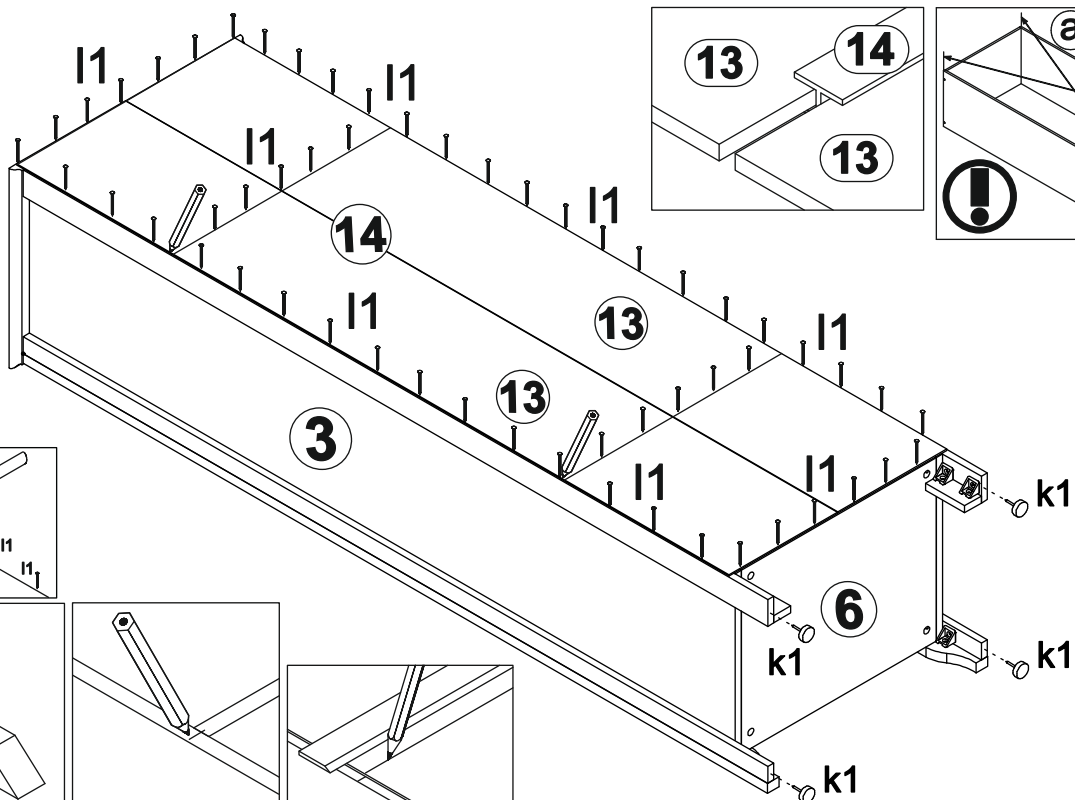
9



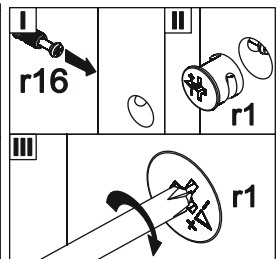
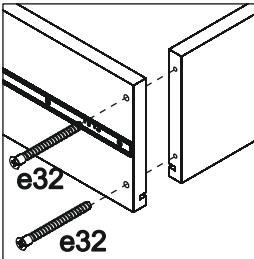
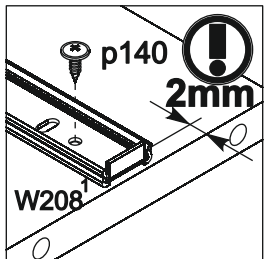
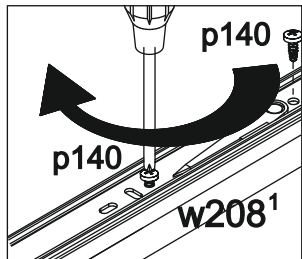
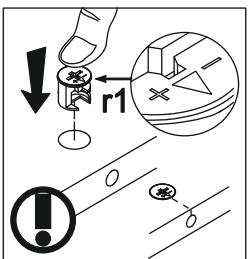
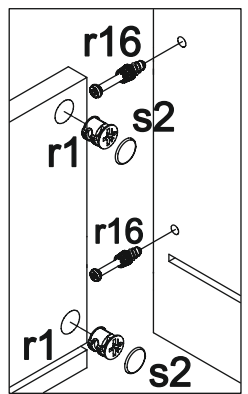
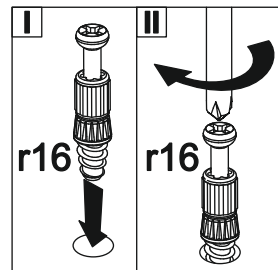
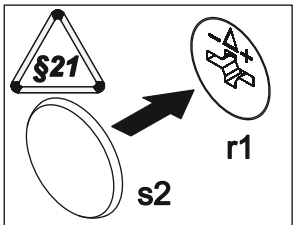
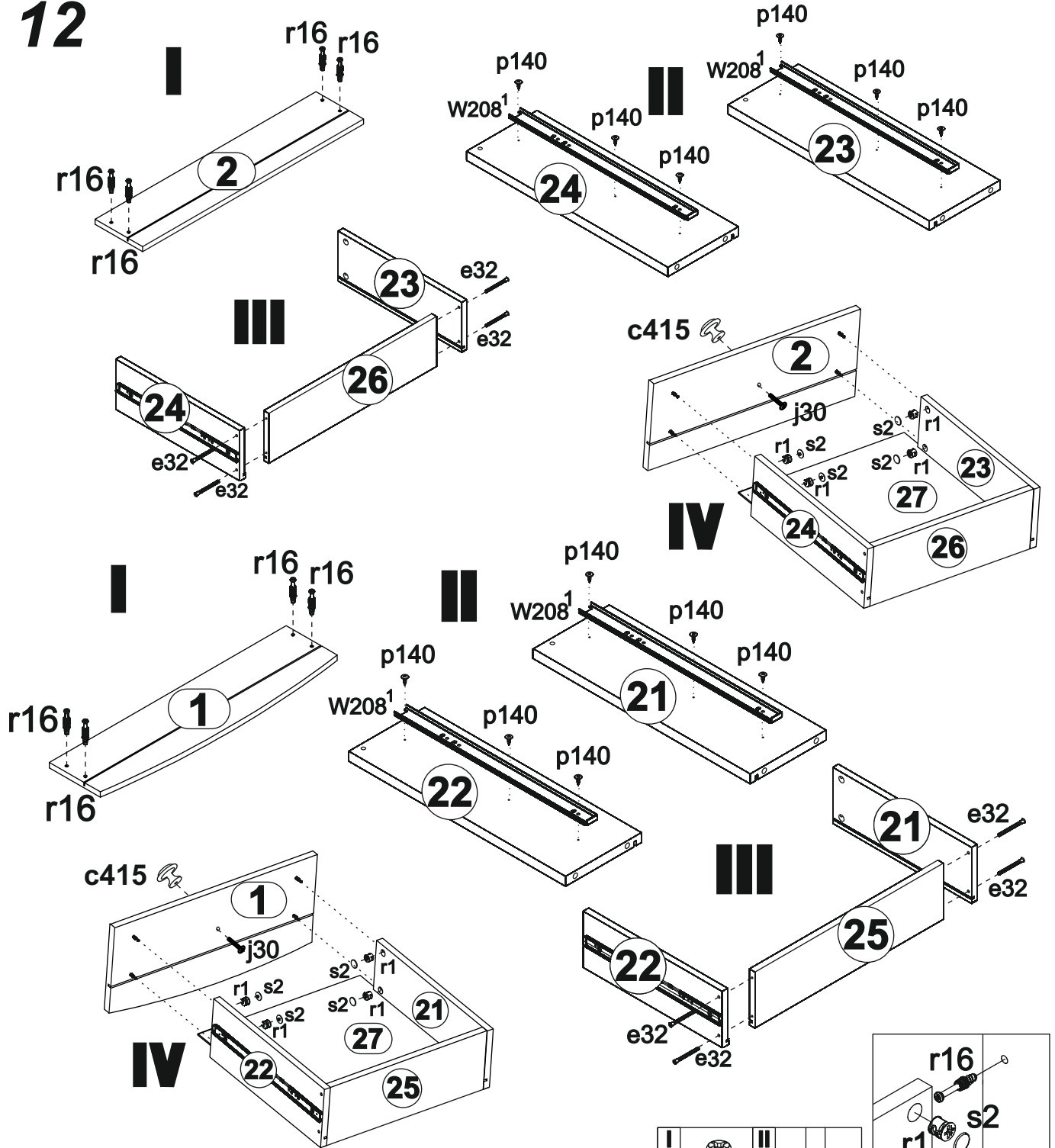
10



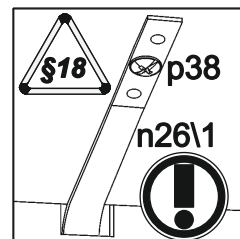
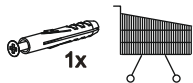
11



12



13



c415

