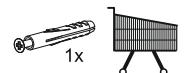


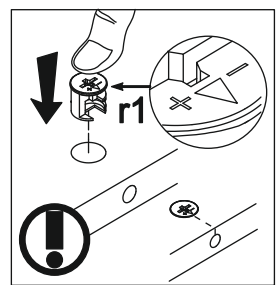
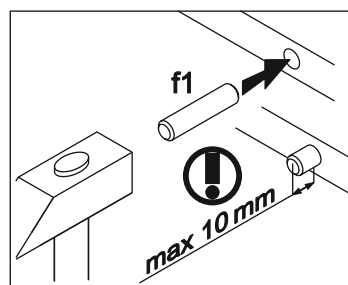
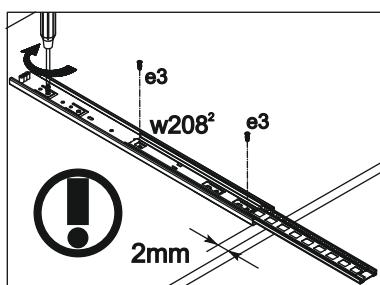
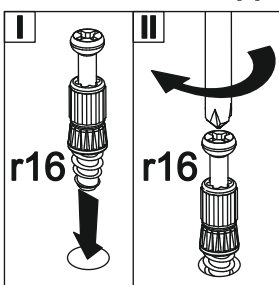
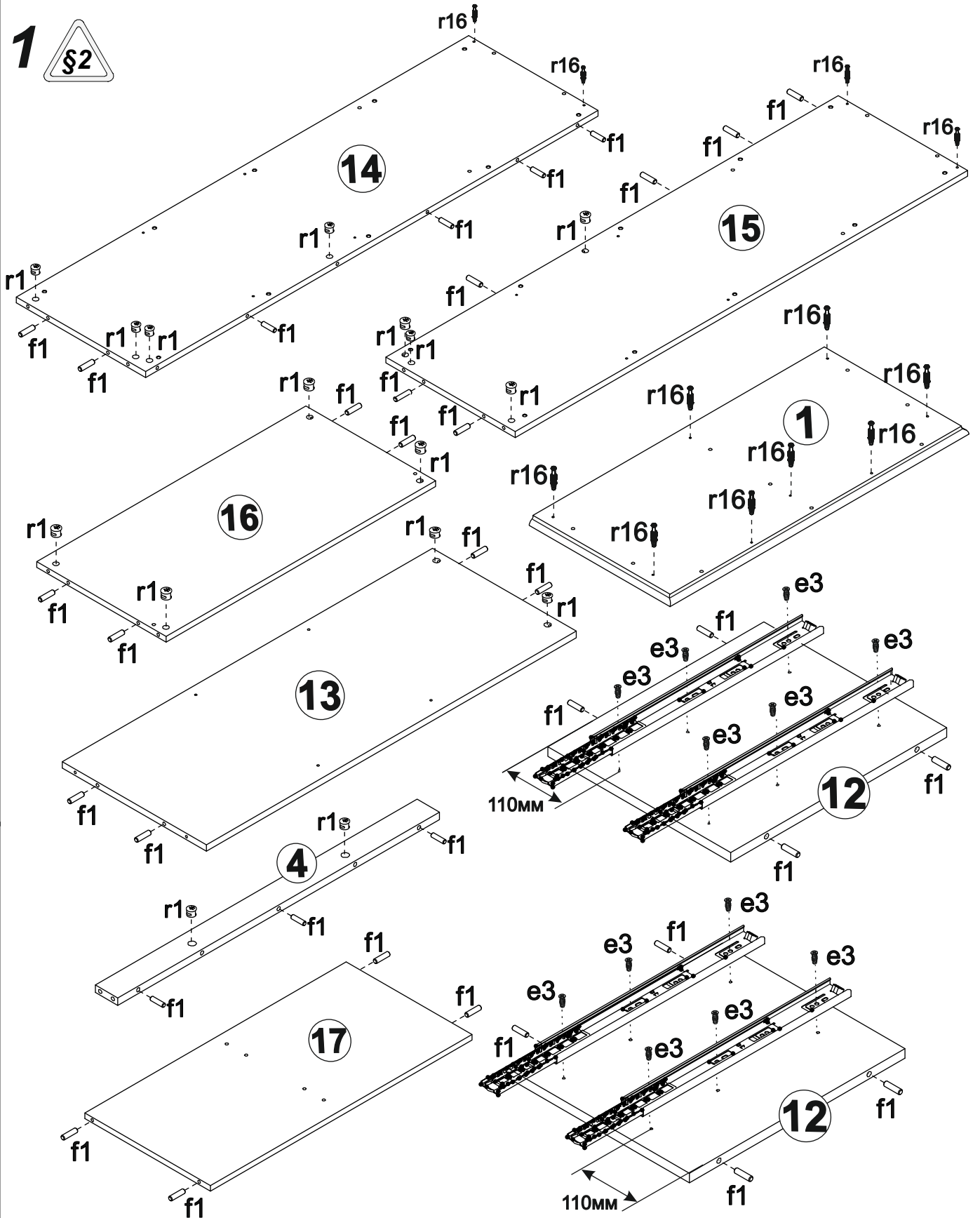
A	B	C	D
1	GF1- 204	956	450 2/3
2	GF1- 313	423	400 2/3
3	GF1- 403	101	44 3/3
4	GF1- 407	807	56 2/3
5	GF1- 5024	1548	60 1/3
6	GF1- 5025	1548	60 1/3
7	GF1- 5026	1548	38 1/3
8	GF1- 5027	1548	38 1/3
9	GF1- 5028	1548	60 1/3
10	GF1- 5029	1548	60 1/3
11	GF1- 909	1465	460 1/3
12	GF1- 111	350	414 2/3
13	GF1-113	1065	414 1/3
14	GF1-114	1447	414 1/3
15	GF1- 115	1447	414 1/3

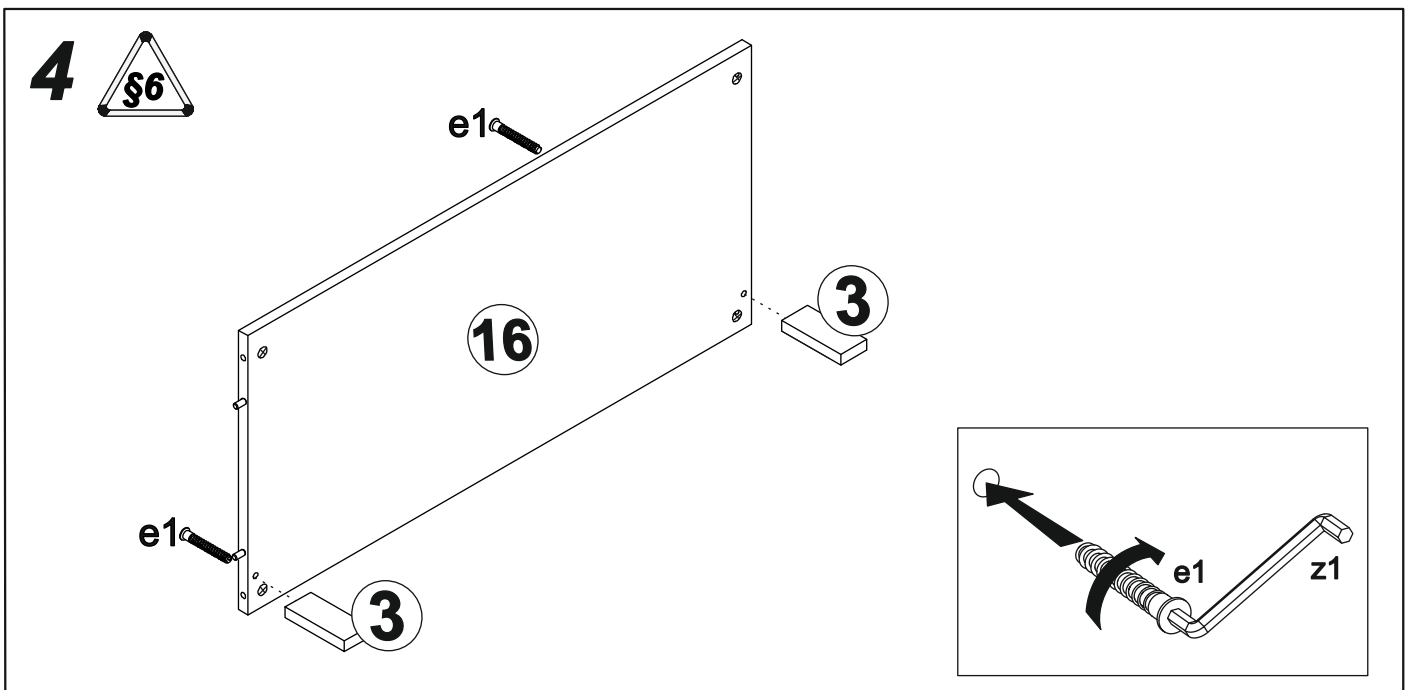
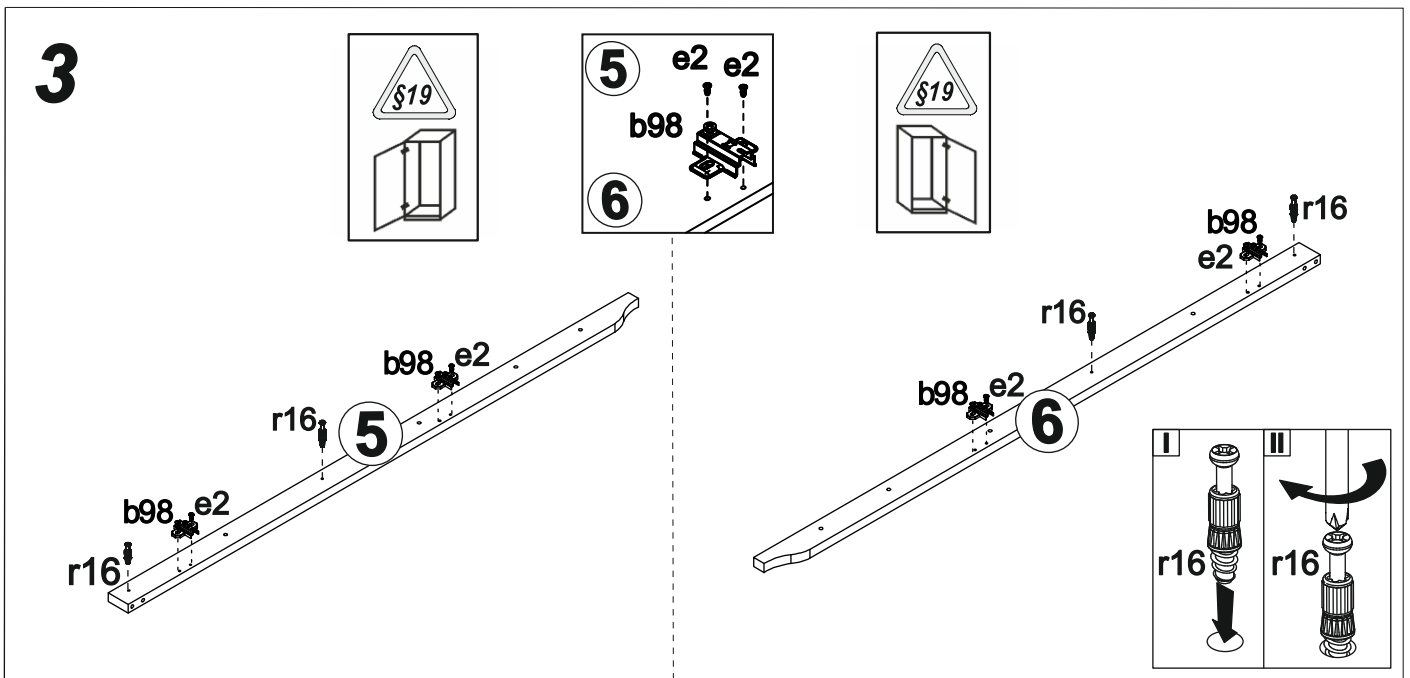
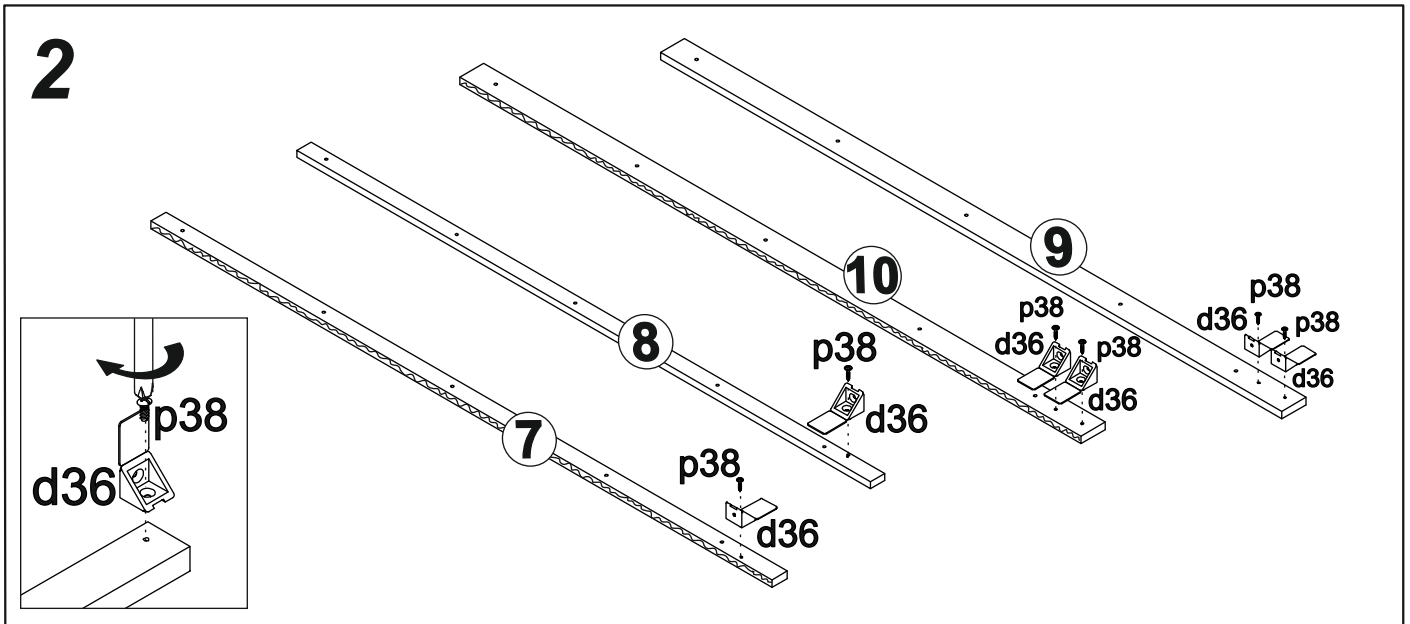
A	B	C	D
16	GF1- 311	862	414 2/3
17	GF1- 312	862	414 2/3
18	GF1- 406	383	60 2/3
19	GF1- 908	764	399 2/3
20	GF1- 012	1014	400 3/3
21	GF1- 013	801	210 1/3
22	GF1- 014	801	200 1/3
23	GF1- 551	400	120 3/3
24	GF1-552	400	120 3/3
25	GF1-555	400	150 3/3
26	GF1-556	400	150 3/3
27	GF1- 560	749	120 3/3
28	GF1-561	749	150 3/3
29	LH- 349	349	14 1/3

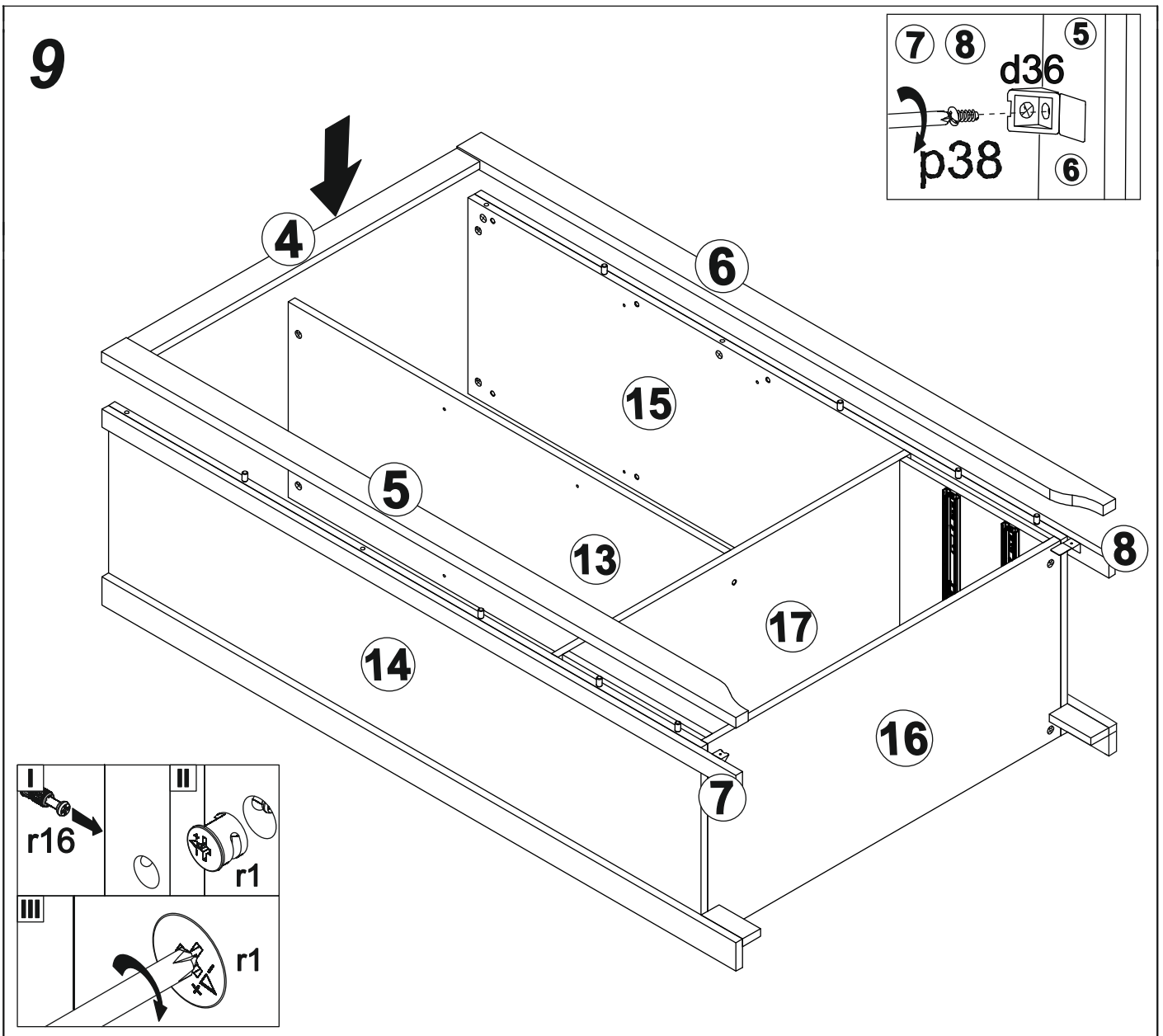
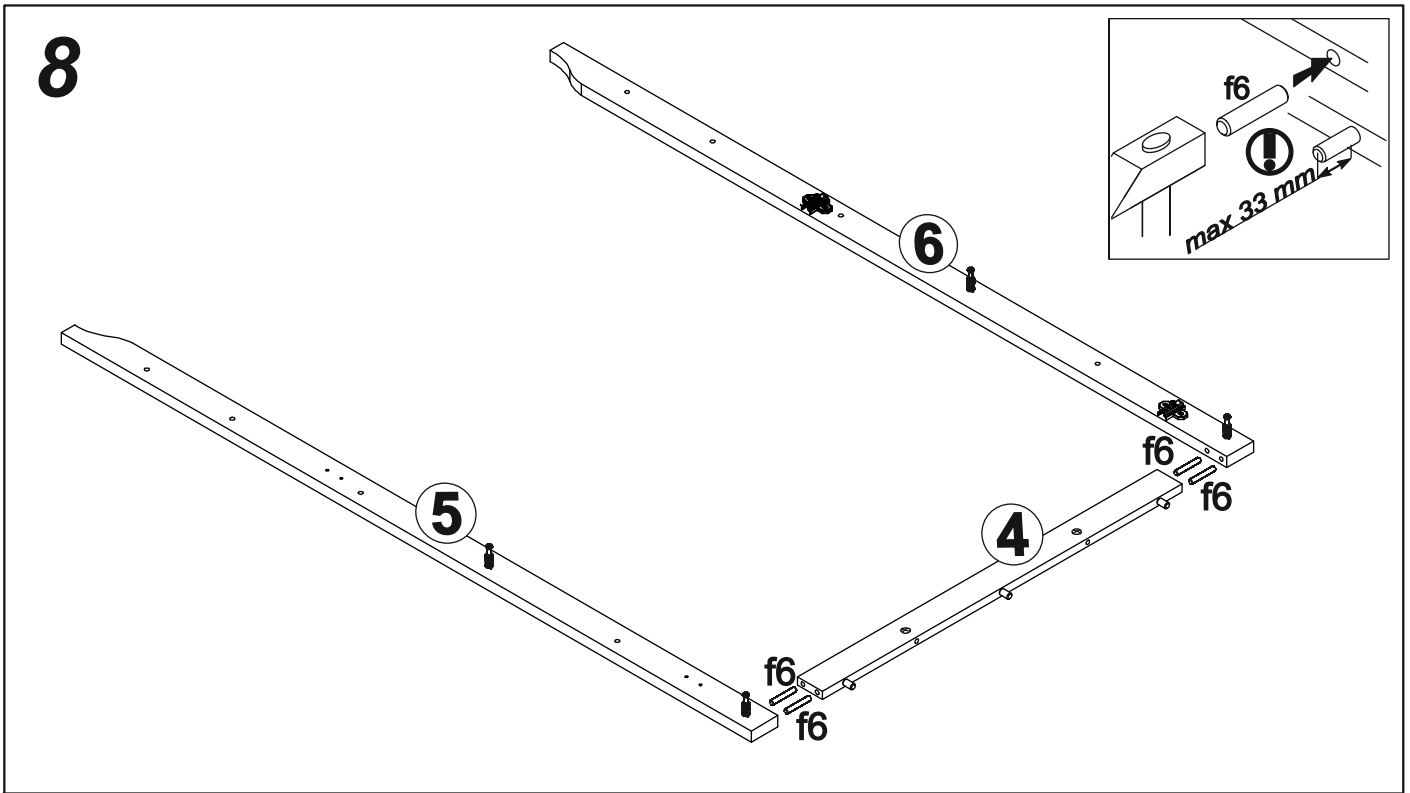
26x φ15x12mm #16 r1	26x 20/9 r16	4x φ3,5x15 mm p51	18x φ16 s2	4x φ6,3x13 mm e2	4x φ7x50 mm e1	12x φ5x50 mm e32	12x s1
12x φ6x13 mm e3	37x φ8x30 mm f1	4x k1	6x d36	60x l1	13x φ3,5x16 mm p38	2x a98	2x b98
3x c415	3x M4x22 mm j30	4x φ8x50 mm f6	4x 400 w208/1	4x 400 w208/2	20x φ7x28 mm e22	16x φ5x17 mm d1	1x z1
12x φ3,5x12 mm p140	1x n2611	5x φ2,9x16 mm p55	5x 20x13x3,5/1 mm n108				



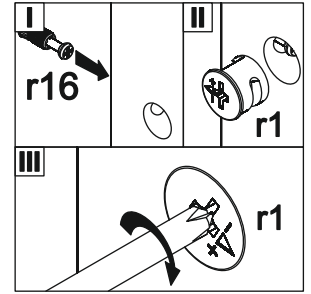
1 §2



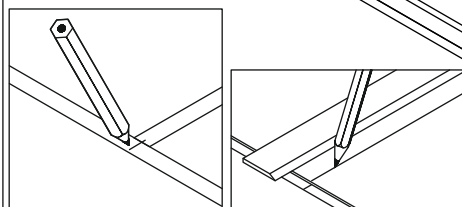
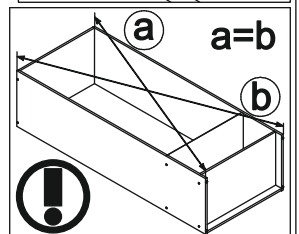
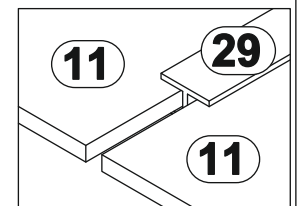
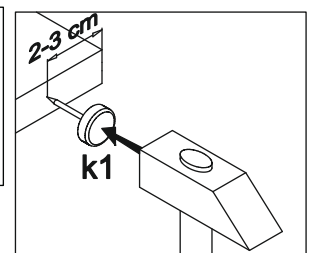
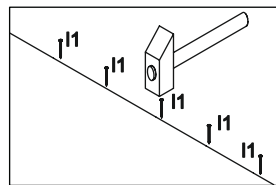
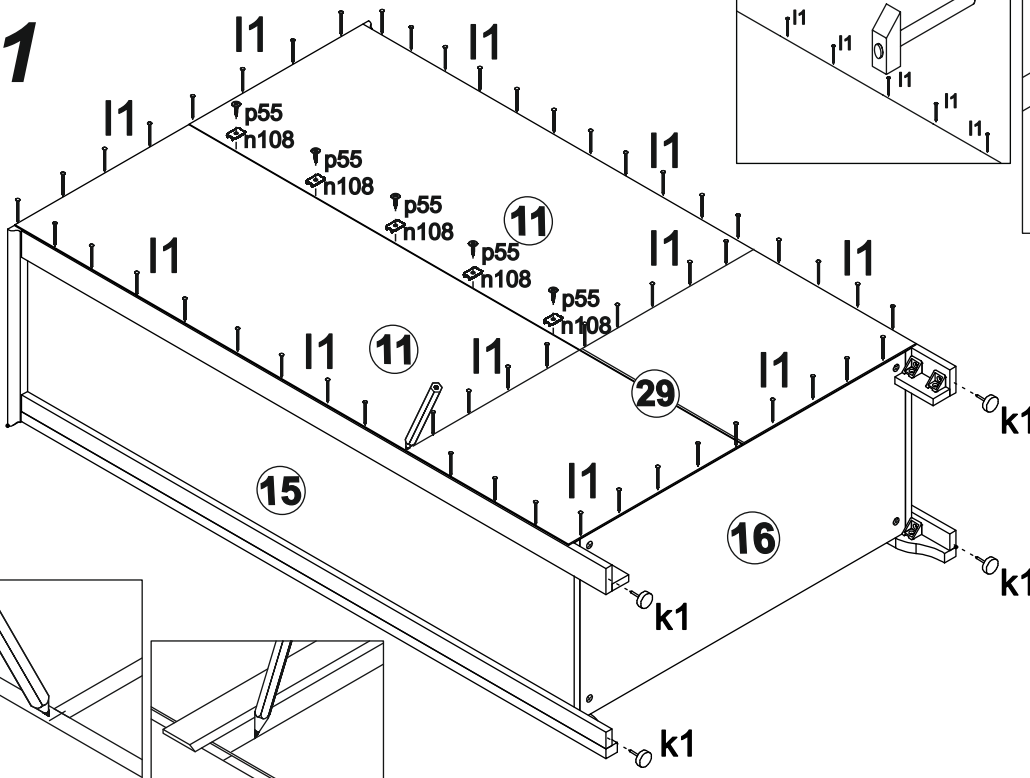




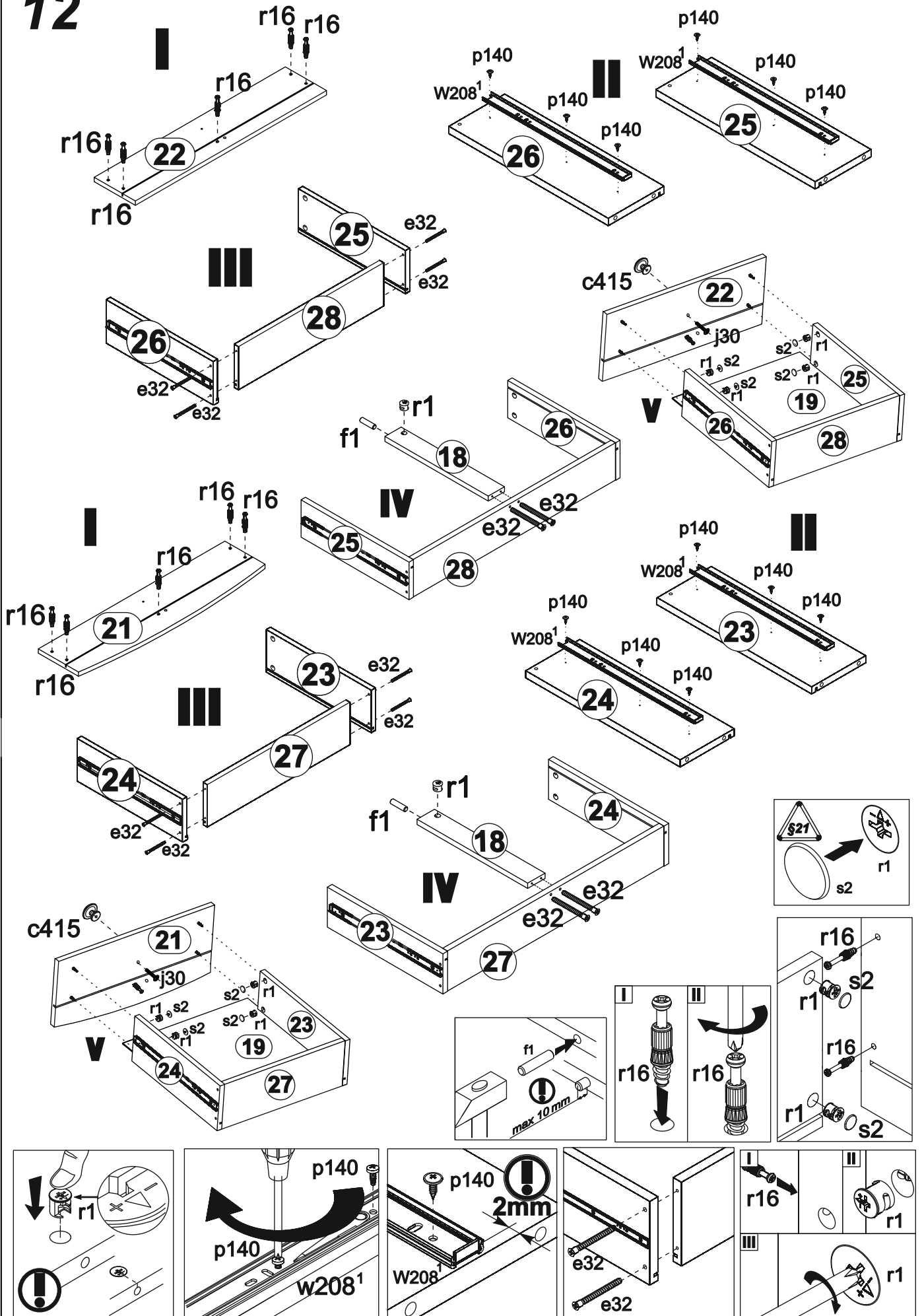
10



11



12



13

