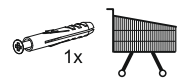


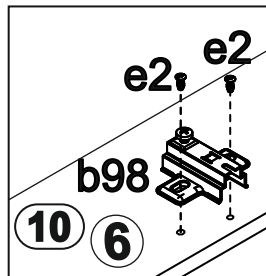
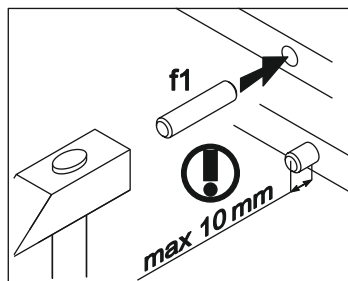
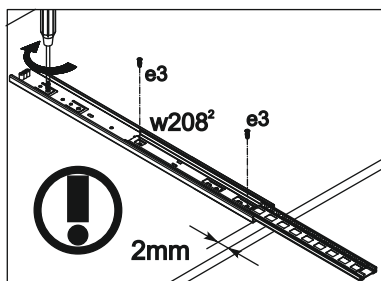
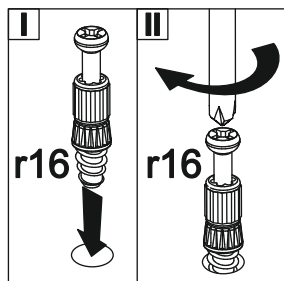
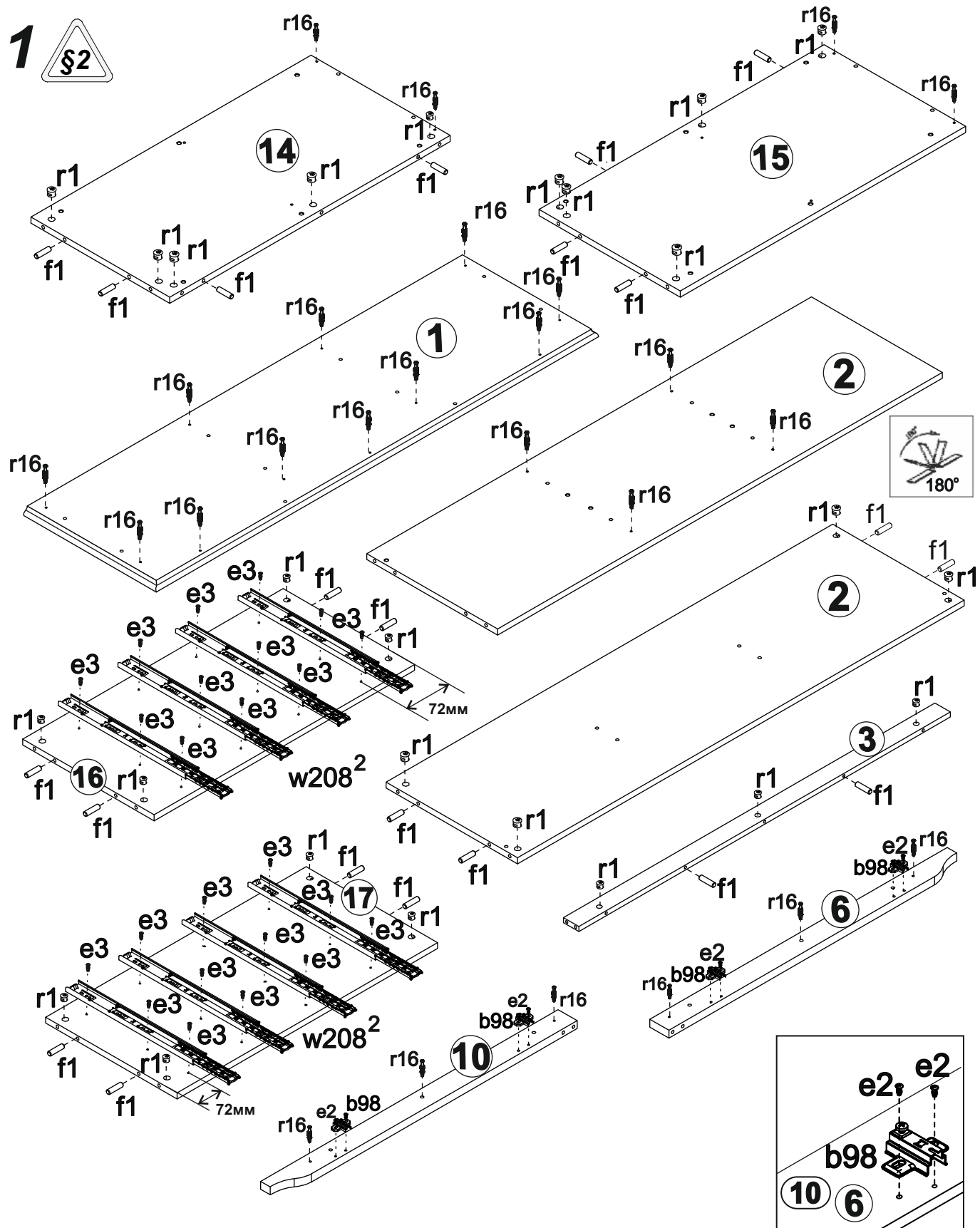
| A | B | C | D |
|----|-----------|------|-----|
| 1 | GF1- 202 | 1500 | 450 |
| 2 | GF1- 304 | 1406 | 414 |
| 3 | GF1- 401 | 1351 | 56 |
| 4 | GF1- 402 | 101 | 91 |
| 5 | GF1- 403 | 101 | 44 |
| 6 | GF1- 5012 | 937 | 60 |
| 7 | GF1- 5013 | 937 | 60 |
| 8 | GF1- 5014 | 937 | 38 |
| 9 | GF1- 5015 | 937 | 60 |
| 10 | GF1- 5016 | 937 | 60 |
| 11 | GF1- 5017 | 937 | 38 |
| 12 | GF1- 903 | 1465 | 425 |
| 13 | LH- 1405 | 1405 | 14 |
| 14 | GF1- 105 | 836 | 414 |
| 15 | GF1- 106 | 836 | 414 |

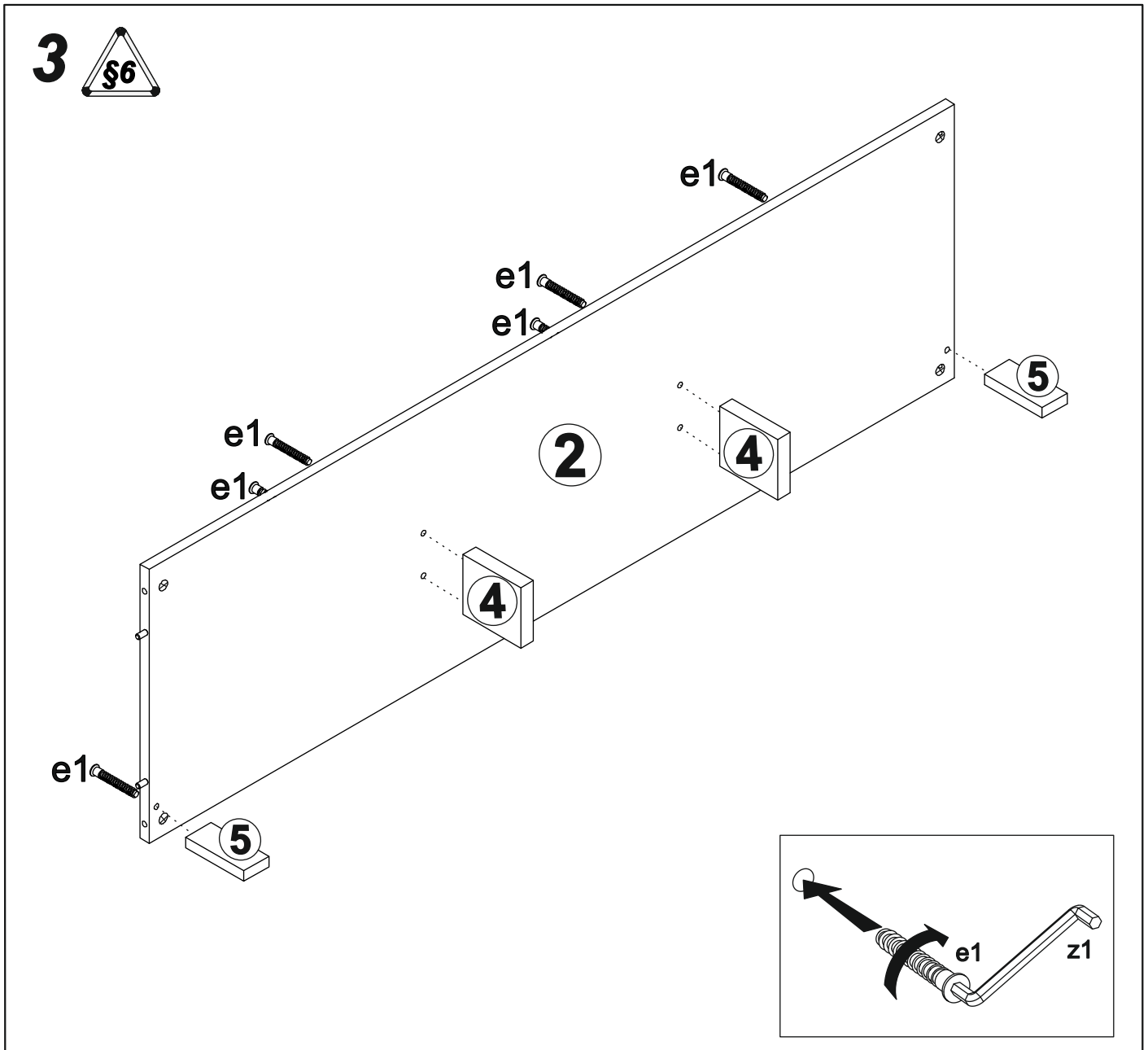
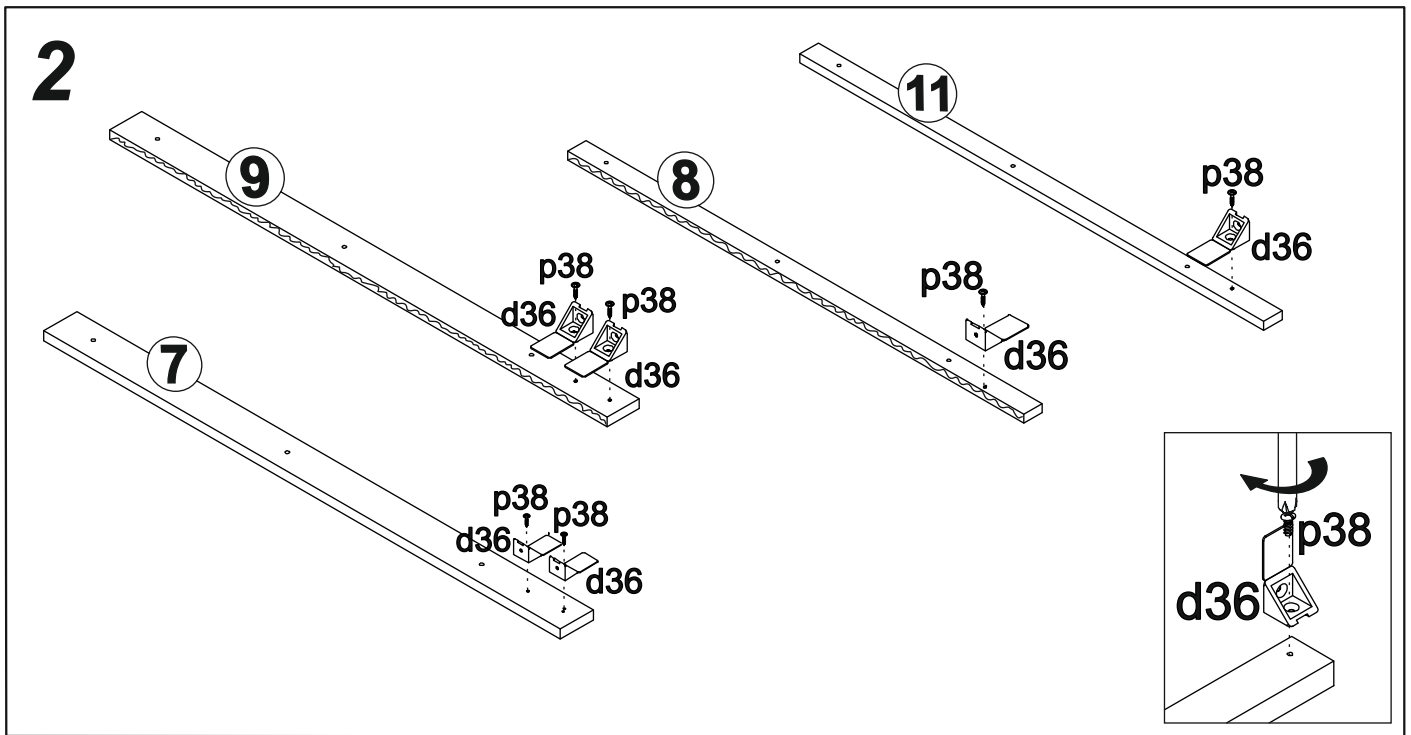
| A | B | C | D |
|----|----------|-----|-----|
| 16 | GF1- 107 | 820 | 414 |
| 17 | GF1- 108 | 820 | 414 |
| 18 | GF1- 305 | 400 | 469 |
| 19 | GF1- 904 | 389 | 399 |
| 20 | GF1- 004 | 815 | 447 |
| 21 | GF1- 005 | 447 | 210 |
| 22 | GF1- 006 | 815 | 447 |
| 23 | GF1- 007 | 447 | 200 |
| 24 | GF1- 551 | 400 | 120 |
| 25 | GF1- 552 | 400 | 120 |
| 26 | GF1- 554 | 374 | 120 |
| 27 | GF1- 555 | 400 | 150 |
| 28 | GF1- 556 | 400 | 150 |
| 29 | GF1- 557 | 374 | 150 |

| | | | | | | | |
|---------------------------|-----------------------|-------------------------|---------------------|------------------------|--------------------------|------------------------|-----------|
| 41x φ15x12mm #16 r1 | 41x 20/9 r16 | 8x φ3,5x15 mm p51 | 26x φ16 s2 | 8x φ6,3x13 mm e2 | 6x φ7x50 mm e1 | 16x φ5x50 mm e32 | 10x s1 |
| 24x φ6x13 mm e3 | 22x φ8x30 mm f1 | 6x k1 | 6x d36 | 60x l1 | 13x φ3,5x16 mm p38 | 4x a98 | 4x b98 |
| 6x c415 | 6x M4x22 mm j30 | 4x φ8x50 mm f6 | 8x 400 w208/1 | 8x 400 w208/2 | 12x φ7x28 mm e22 | 8x φ5x17 mm d1 | 1x z1 |
| 24x φ3,5x12 mm p140 | 1x n26\1 | | | | | | |

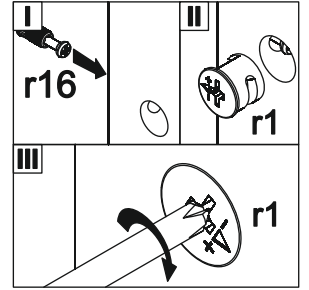
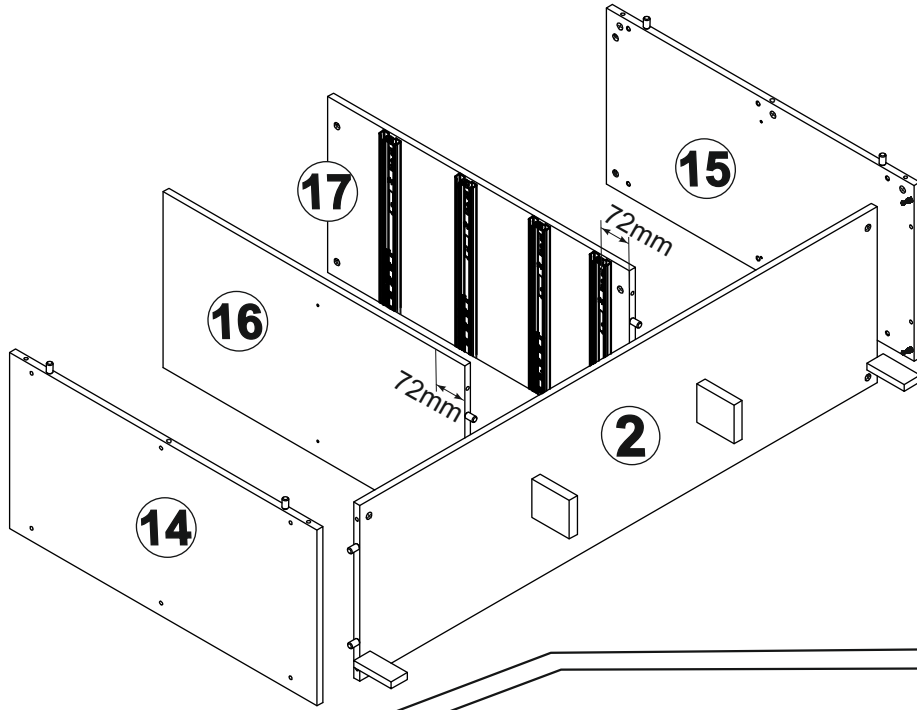


1 

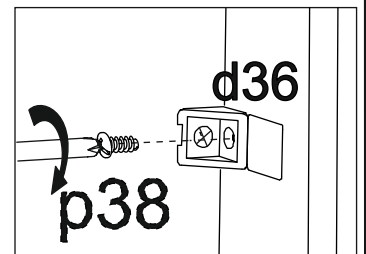
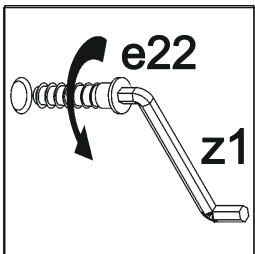
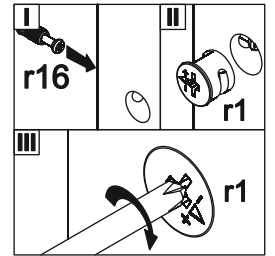
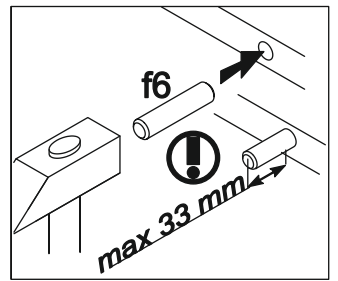
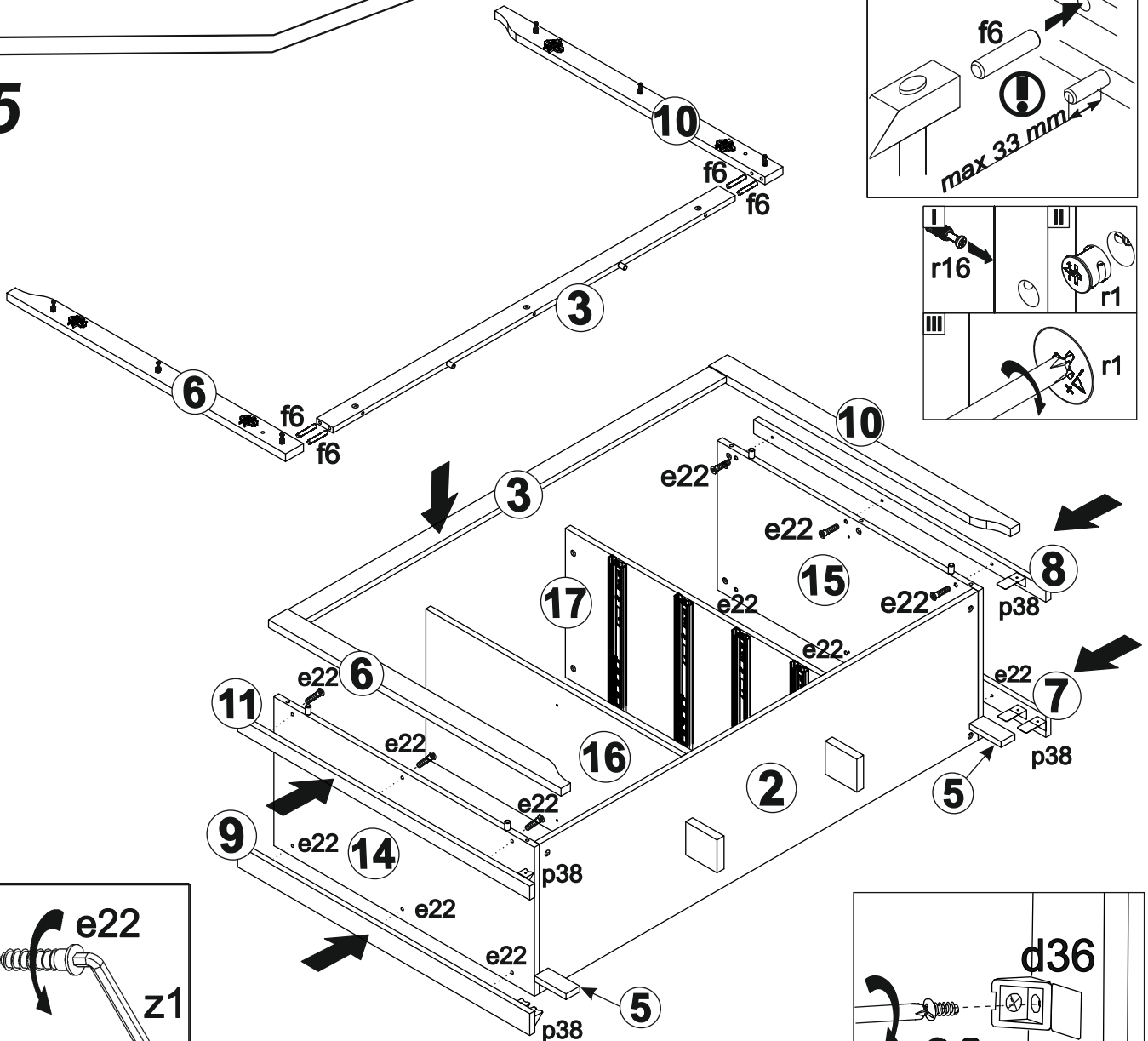




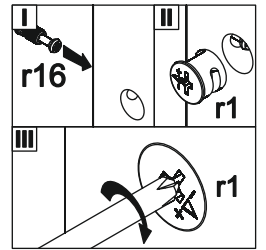
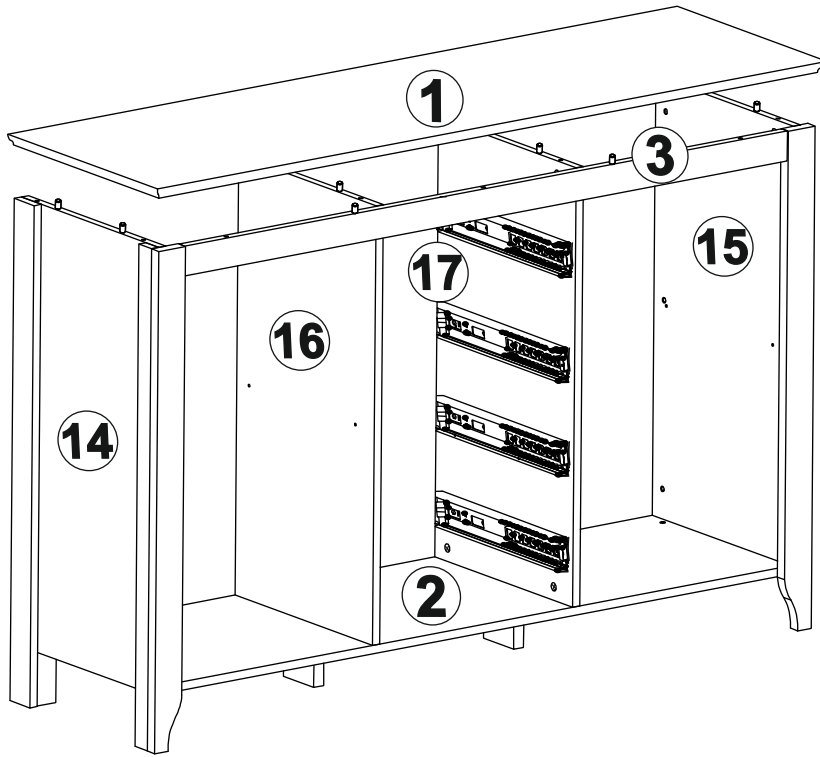
4



5



6



7

