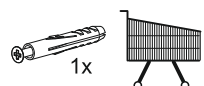
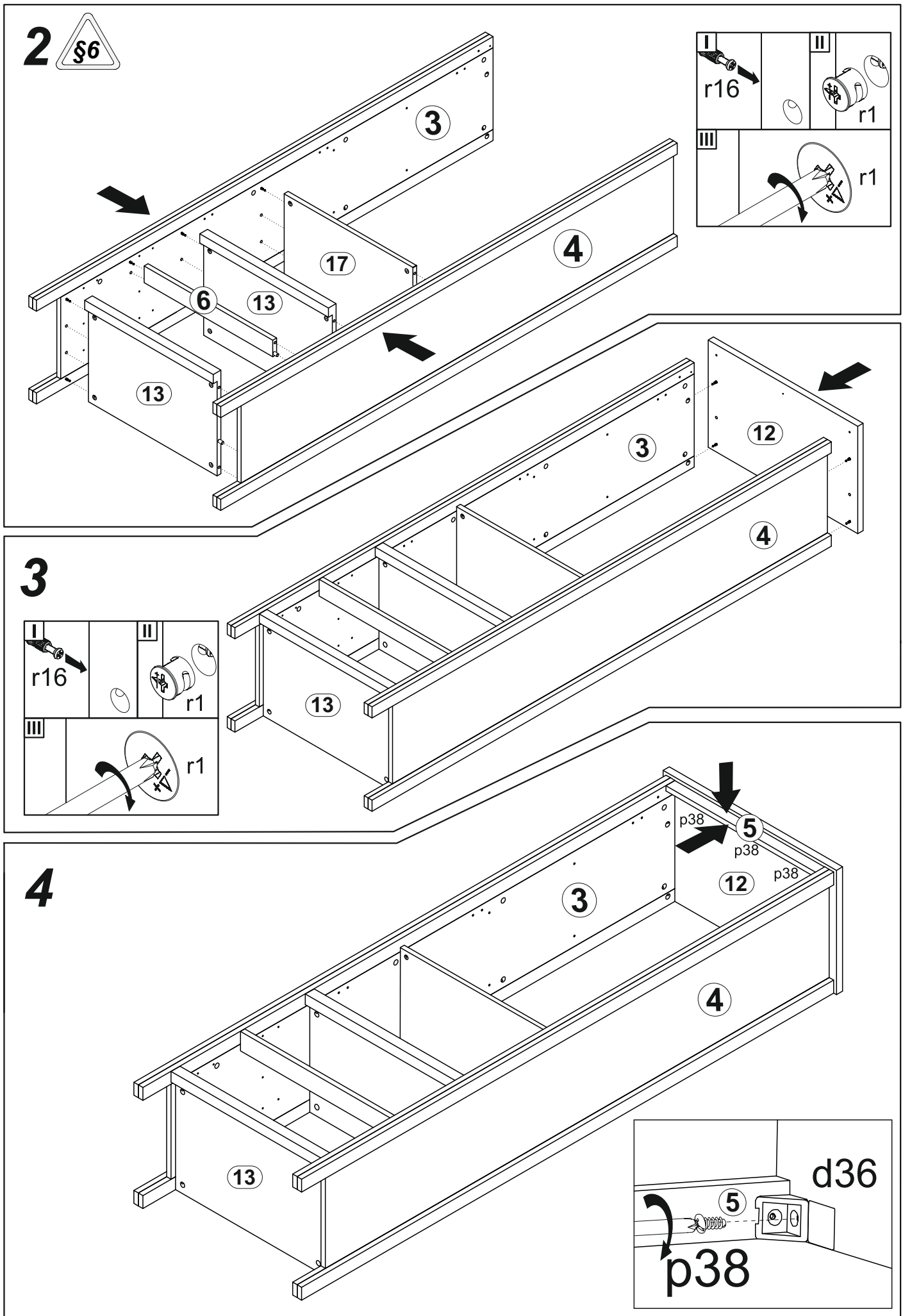


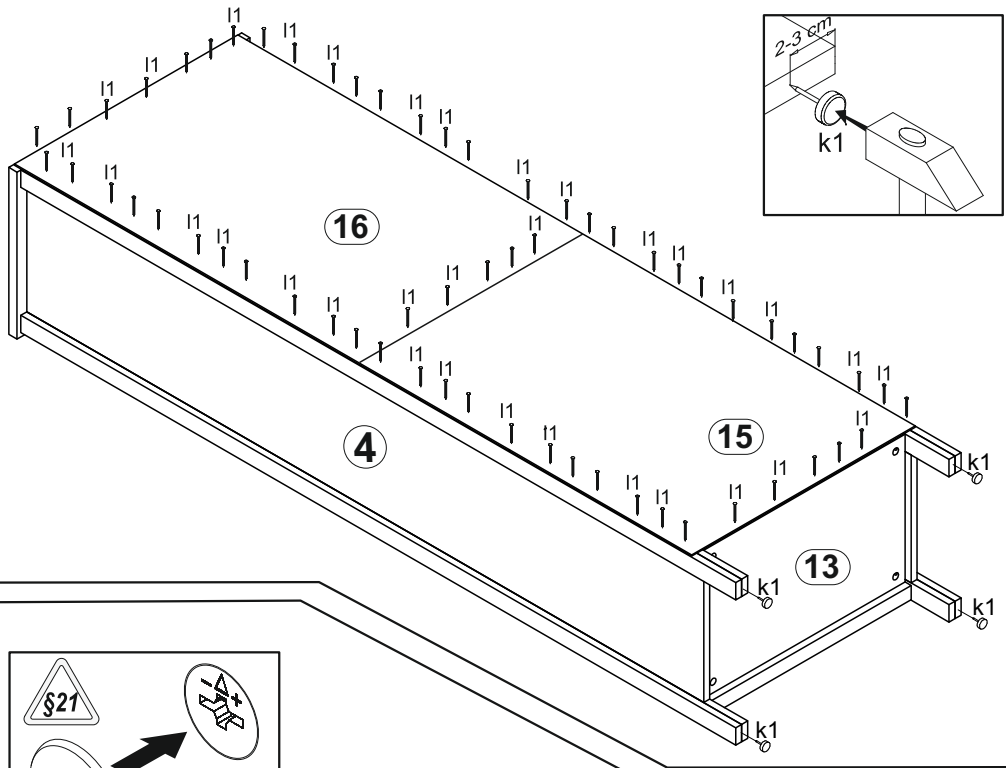
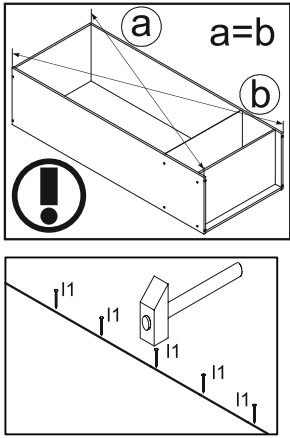
	A	B	C		D		A	B	C		D
1	HM1-008	1252	530	4/4		10	HM1-510	478	140	1/4	
2	HM1-005	531	210	3/4		11	HM1-905	349	493	1/4	
3	HM1-110	1903	375	1/4		12	HM1-202	620	385	2/4	
4	HM1-114	1903	375	1/4		13	HM1-304	536	374	2/4	
5	HM1-420	536	32	1/4		14	HM1-305	536	350	2/4	
6	HM1-423	536	100	1/4		15	HM1-910	826	585	4/4	
8	HM1-511	350	140	1/4		16	HM1-906	976	585	4/4	
9	HM1-512	350	140	1/4		17	HM1-312	536	350	2/4	

26x φ15x12mm #16 r1	26 20/9 r16	8x φ5x17 mm d1	28x φ16 s2	7x ø5 s4	8x φ3x12 mm p54	3x c68	3x M4x25 mm j8
12x φ6x13 mm e3	18x φ8x30 mm f1	4x k1	3x d36	60x l1	7x φ3,5x16 mm p38	1x n26\1	1x φ6x15 mm d4
8x φ5x50 mm e32	3x a1	3x b1	2x 350 mm w45^{CR}	2x 350 mm w45^{CL}	2x 350 mm w45^{DR}	2x 350 mm w45^{DL}	

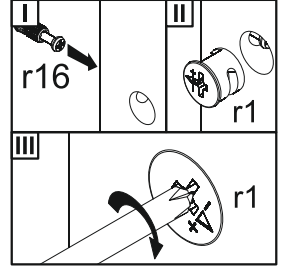
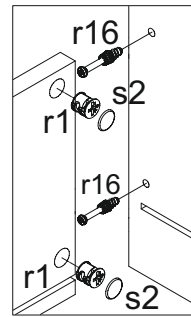
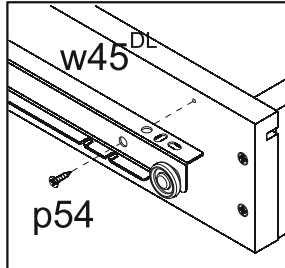
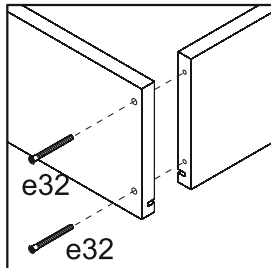
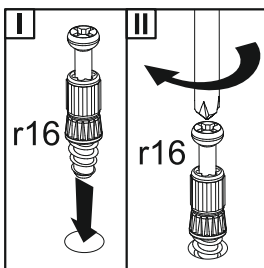
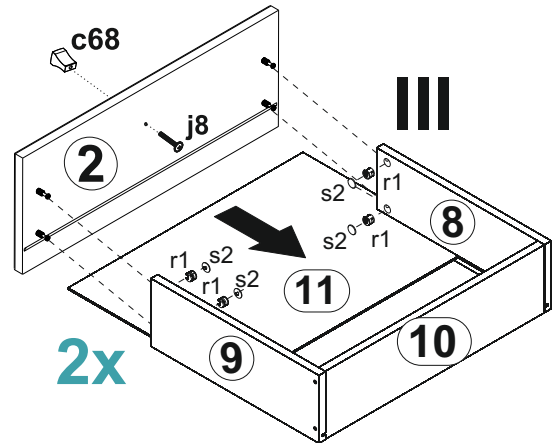
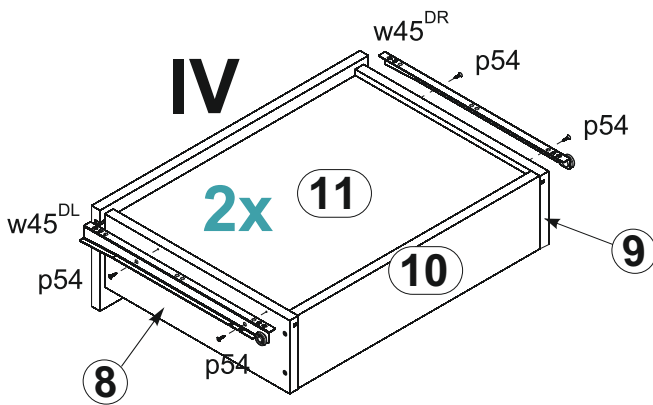
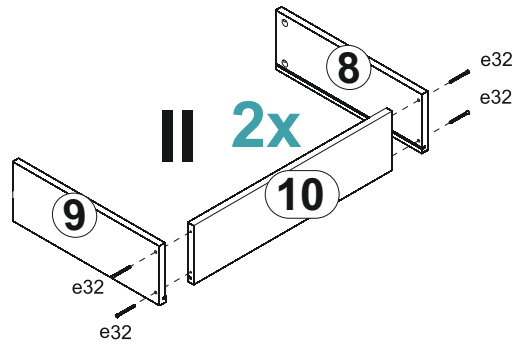
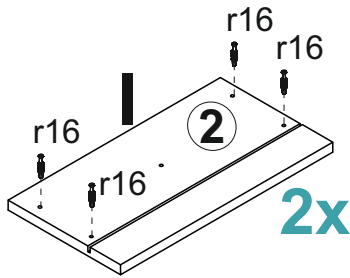
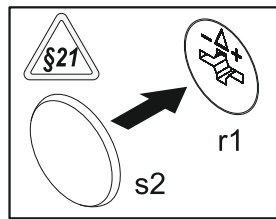




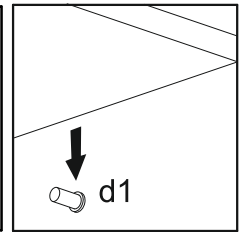
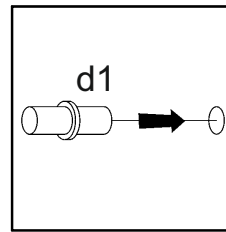
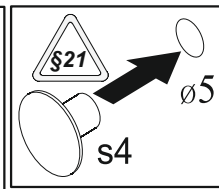
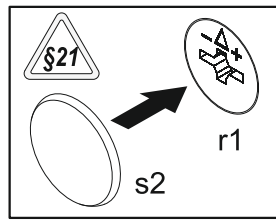
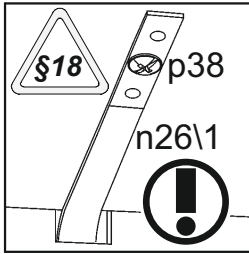
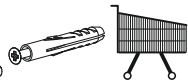
5



6



7



L

P

